

plug - with TE screw terminals, for harsh applications

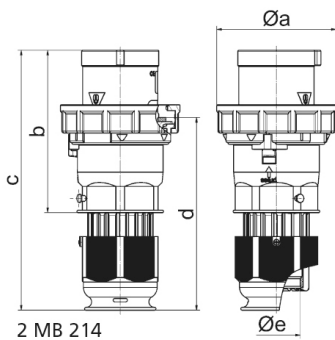


Product description	
BALS-Prd.-Nr	21059
EAN	4024941210591
Product category	TE plug
Current	125A
Number of poles	5p
Number of poles	3p+N+PE
Position of earth contact	5 h
Voltage	347/600 up to 400/690V
Frequency	50 and 60Hz

Product description	
Protection degree	IP67
Colour code	black RAL 9005
Colour of appliance	Pusher grey RAL 7035, Collar black RAL 9005, Bayonet ring grey RAL 7035, Housing cover grey RAL 7035, Cable gland grey RAL 7035
Connection design	box terminal
Maximum conductor size	50.0 qmm
Cable entry	Cable gland
Height	273mm
Width	126mm
Depth	126mm
Material of enclosure	Polyamide
Contact	The contact carrier is made of high temperature resistant material, the contacts are brass nickel plated

Logistics data	
Weight/pcs	1.245 kg / Piece
Packaging	Bag
Content amount	1 ST
EAN	4024941210591
Length	126 mm
Width	126 mm
Height	273 mm

Logistics data	
Weight	1.246 kg
Volume	4,334.148 ccm
Packaging	Carton
Content amount	5 ST
EAN	4024941822190
Length	345 mm
Width	345 mm
Height	217 mm
Weight	6.56 kg
Volume	24,276 ccm



Ampere	125	125	125				
Polzahl	3	4	5				
a ø	126,0	126,0	126,0				
b	181,0	181,0	181,0				
c	282,0	282,0	282,0				
d	206,0	206,0	206,0				
e ø	50,0	50,0	50,0				
Leiter mm ² min	16	16	16				
Leiter mm ² max	50	50	50				