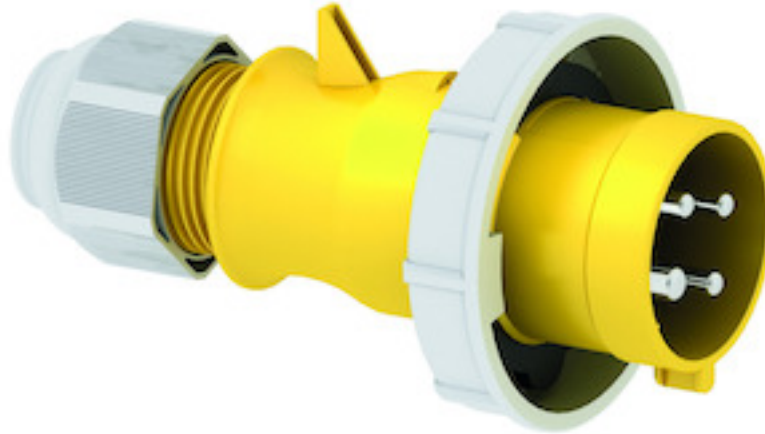


plug - with screw terminals one piece housing



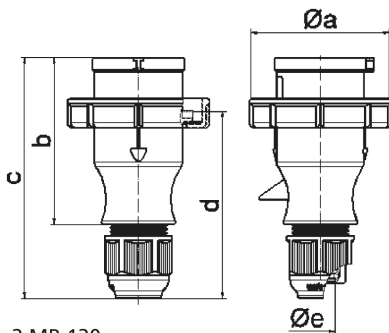
Product description	
BALS-Prd.-Nr	210599
EAN	4024941109994
product category	TLS plug with Multi-Grip cable gland
current	32A
number of poles	4p
number of poles	3P+PE
position of earth contact	4 h
voltage	100 up to 130V
frequency	50 and 60Hz

Product description	
protection degree	IP67
colour code	yellow RAL 1012
Colour of appliance	Enclosure yellow, Bayonet ring grey, Cable gland grey
connection design	screw terminal
maximum conductor size	6,0 qmm
cable entry	Cable gland
Height	170mm
Width	94mm
Depth	94mm
material of enclosure	Polyamide
contact	The contact carrier is made of polyamide, the contacts are brass nickel plated

Additional technical information	
	one piece housing, Multi-Grip cable gland with gasket and integrated strain relief, For cable diameter from 11 up to max. 23,5 mm

Logistics data	
Weight/pcs	0.265 kg / Piece
Packaging	Bag
Content amount	1 ST
EAN	4024941109994

Logistics data	
Length	94 mm
Width	94 mm
Height	170 mm
Weight	0.266 kg
Volume	1,502.12 ccm
Packaging	Carton
Content amount	10 ST
EAN	4024941832120
Length	325 mm
Width	217 mm
Height	210 mm
Weight	2.856 kg
Volume	13,588.4 ccm



2 MB 130

Ampere Polzahl	16 3	16 4	16 5	32 3	32 4	32 5
a ø	70,0	78,0	86,0	94,0	94,0	101,0
b	94,5	98,0	101,0	115,0	115,0	119,0
c	138,0	142,0	145,0	170,0	170,0	174,0
d	105,5	109,5	112,5	128,0	128,0	132,0
e ø	18,0	18,0	18,0	23,0	23,0	23,0
Leiter mm² min	1	1	1	2,5	2,5	2,5
Leiter mm² max	2,5	2,5	2,5	6	6	6