

plug - with screw terminals one piece housing



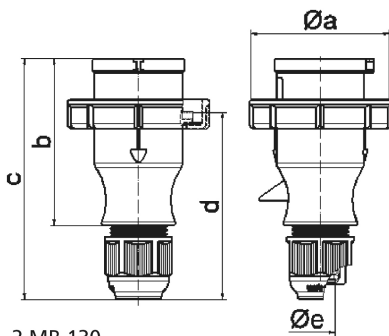
Product description	
BALS-Prd.-Nr	210588
EAN	4024941109888
product category (PG)	TLS plug with Multi-Grip cable gland
current (A)	16A
number of poles (P99)	5p
number of poles (P)	3p+N+PE
position of earth contact (H)	9 h
voltage (V)	120/208 up to 144/250V
frequency (HZ)	50 and 60Hz

Product description	
protection degree (SA)	IP67
colour code 1 (KF1)	blue RAL 5015
Colour of appliance	Enclosure blue, Bayonet ring grey, Cable gland grey
connection design (AT)	screw terminal
maximum conductor size (LQ)	2,5 qmm
cable entry (KE)	Cable gland
Height	146mm
Width	86mm
Depth	86mm
material of enclosure (GM)	Polyamide
contact	The contact carrier is made of polyamide, the contacts are brass nickel plated

Additional technical information	
	one piece housing, Multi-Grip cable gland with gasket and integrated strain relief, For cable diameter from 8 up to max. 18 mm

Logistics data	
Weight/pcs	0.172 kg / Piece
Packaging	Bag
Content amount	1 ST
EAN	4024941109888
Length	86 mm

Logistics data	
Width	86 mm
Height	146 mm
Weight	0.173 kg
Volume	1,079.816 ccm
Packaging	Carton
Content amount	10 ST
EAN	4024941832168
Length	258 mm
Width	183 mm
Height	212 mm
Weight	1.872 kg
Volume	8,750 ccm



2 MB 130

Ampere	16	16	16	32	32	32
Polzahl	3	4	5	3	4	5
a ø	70,0	78,0	86,0	94,0	94,0	101,0
b	94,5	98,0	101,0	115,0	115,0	119,0
c	138,0	142,0	145,0	170,0	170,0	174,0
d	105,5	109,5	112,5	128,0	128,0	132,0
e ø	18,0	18,0	18,0	23,0	23,0	23,0
Leiter mm² min	1	1	1	2,5	2,5	2,5
Leiter mm² max	2,5	2,5	2,5	6	6	6