

plug - with screw terminals one piece housing



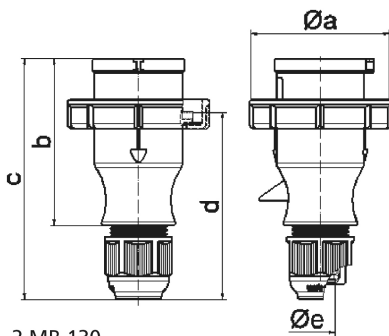
Product description	
BALS-Prd.-Nr	210584
EAN	4024941109840
product category	TLS plug with Multi-Grip cable gland
current	16A
number of poles	4p
number of poles	3P+PE
position of earth contact	7 h
voltage	480 up to 500V
frequency	50 and 60Hz

Product description	
protection degree	IP67
colour code	black RAL 9005
Colour of appliance	Enclosure black, Bayonet ring grey, Cable gland grey
connection design	screw terminal
maximum conductor size	2,5 qmm
cable entry	Cable gland
Height	143mm
Width	78mm
Depth	78mm
material of enclosure	Polyamide
contact	The contact carrier is made of polyamide, the contacts are brass nickel plated

Additional technical information	
	one piece housing, Multi-Grip cable gland with gasket and integrated strain relief, For cable diameter from 8 up to max. 18 mm

Logistics data	
Weight/pcs	0.152 kg / Piece
Packaging	Bag
Content amount	1 ST
EAN	4024941109840
Length	78 mm

Logistics data	
Width	78 mm
Height	143 mm
Weight	0.153 kg
Volume	870.012 ccm
Packaging	Carton
Content amount	10 ST
EAN	4024941841658
Length	245 mm
Width	177 mm
Height	185 mm
Weight	1.653 kg
Volume	7,140 ccm



Ampere	16	16	16	32	32	32
Polzahl	3	4	5	3	4	5
a Ø	70,0	78,0	86,0	94,0	94,0	101,0
b	94,5	98,0	101,0	115,0	115,0	119,0
c	138,0	142,0	145,0	170,0	170,0	174,0
d	105,5	109,5	112,5	128,0	128,0	132,0
e Ø	18,0	18,0	18,0	23,0	23,0	23,0
Leiter mm² min	1	1	1	2,5	2,5	2,5
Leiter mm² max	2,5	2,5	2,5	6	6	6