

plug - with screw terminals one piece housing



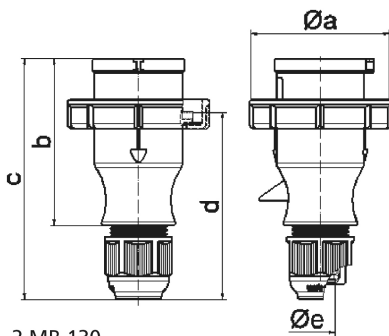
| Product description | |
|-------------------------------|--------------------------------------|
| BALS-Prd.-Nr | 210583 |
| EAN | 4024941109833 |
| product category (PG) | TLS plug with Multi-Grip cable gland |
| current (A) | 16A |
| number of poles (P99) | 4p |
| number of poles (P) | 3P+PE |
| position of earth contact (H) | 6 h |
| voltage (V) | 380 up to 415V |
| frequency (HZ) | 50 and 60Hz |

| Product description | |
|-----------------------------|--|
| protection degree (SA) | IP67 |
| colour code 1 (KF1) | red RAL 3000 |
| Colour of appliance | Enclosure red, Bayonet ring grey, Cable gland grey |
| connection design (AT) | screw terminal |
| maximum conductor size (LQ) | 2,5 qmm |
| cable entry (KE) | Cable gland |
| Height | 143mm |
| Width | 78mm |
| Depth | 78mm |
| material of enclosure (GM) | Polyamide |
| contact | The contact carrier is made of polyamide, the contacts are brass nickel plated |

| Additional technical information | |
|----------------------------------|--|
| | one piece housing, Multi-Grip cable gland with gasket and integrated strain relief, For cable diameter from 8 up to max. 18 mm |

| Logistics data | |
|----------------|------------------|
| Weight/pcs | 0.151 kg / Piece |
| Packaging | Bag |
| Content amount | 1 ST |
| EAN | 4024941109833 |
| Length | 78 mm |

| Logistics data | |
|----------------|---------------|
| Width | 78 mm |
| Height | 143 mm |
| Weight | 0.152 kg |
| Volume | 870.012 ccm |
| Packaging | Carton |
| Content amount | 10 ST |
| EAN | 4024941832205 |
| Length | 245 mm |
| Width | 177 mm |
| Height | 185 mm |
| Weight | 1.643 kg |
| Volume | 7,140 ccm |



2 MB 130

| Ampere | 16 | 16 | 16 | 32 | 32 | 32 |
|----------------|-------|-------|-------|-------|-------|-------|
| Polzahl | 3 | 4 | 5 | 3 | 4 | 5 |
| a ø | 70,0 | 78,0 | 86,0 | 94,0 | 94,0 | 101,0 |
| b | 94,5 | 98,0 | 101,0 | 115,0 | 115,0 | 119,0 |
| c | 138,0 | 142,0 | 145,0 | 170,0 | 170,0 | 174,0 |
| d | 105,5 | 109,5 | 112,5 | 128,0 | 128,0 | 132,0 |
| e ø | 18,0 | 18,0 | 18,0 | 23,0 | 23,0 | 23,0 |
| Leiter mm² min | 1 | 1 | 1 | 2,5 | 2,5 | 2,5 |
| Leiter mm² max | 2,5 | 2,5 | 2,5 | 6 | 6 | 6 |
| | | | | | | |
| | | | | | | |
| | | | | | | |
| | | | | | | |