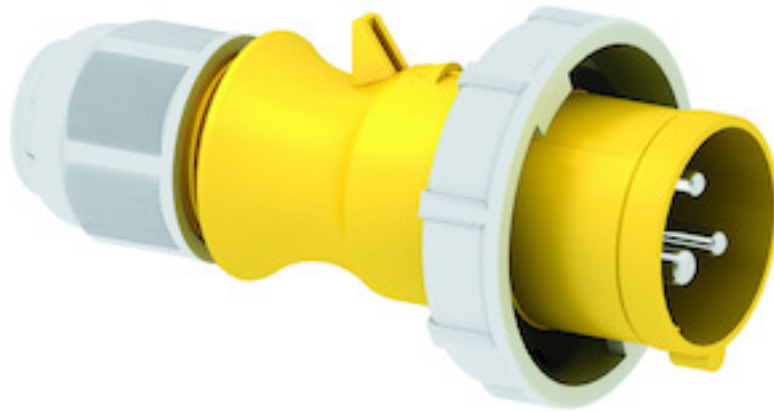


plug - with screw terminals one piece housing



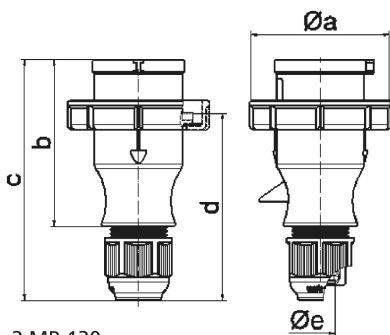
Product description	
BALS-Prd.-Nr	210575
EAN	4024941109758
product category (PG)	TLS plug with Multi-Grip cable gland
current (A)	16A
number of poles (P99)	3p
number of poles (P)	2P+PE
position of earth contact (H)	4 h
voltage (V)	100 up to 130V
frequency (HZ)	50 and 60Hz

Product description	
protection degree (SA)	IP67
colour code 1 (KF1)	yellow RAL 1012
Colour of appliance	Enclosure yellow, Bayonet ring grey, Cable gland grey
connection design (AT)	screw terminal
maximum conductor size (LQ)	2,5 qmm
cable entry (KE)	Cable gland
Height	140mm
Width	70mm
Depth	70mm
material of enclosure (GM)	Polyamide
contact	The contact carrier is made of polyamide, the contacts are brass nickel plated

Additional technical information	
	one piece housing, Multi-Grip cable gland with gasket and integrated strain relief, For cable diameter from 8 up to max. 18 mm

Logistics data	
Weight/pcs	0.135 kg / Piece
Packaging	Bag
Content amount	1 ST
EAN	4024941109758

Logistics data	
Length	70 mm
Width	70 mm
Height	140 mm
Weight	0.136 kg
Volume	686 ccm
Packaging	Carton
Content amount	10 ST
EAN	4024941832083
Length	275 mm
Width	175 mm
Height	137 mm
Weight	1.475 kg
Volume	5,737.5 ccm



Ampere	16	16	16	32	32	32
Polzahl	3	4	5	3	4	5
a ø	70,0	78,0	86,0	94,0	94,0	101,0
b	94,5	98,0	101,0	115,0	115,0	119,0
c	138,0	142,0	145,0	170,0	170,0	174,0
d	105,5	109,5	112,5	128,0	128,0	132,0
e ø	18,0	18,0	18,0	23,0	23,0	23,0
Leiter mm² min	1	1	1	2,5	2,5	2,5
Leiter mm² max	2,5	2,5	2,5	6	6	6