

plug - 7 poles, with Multi-Grip



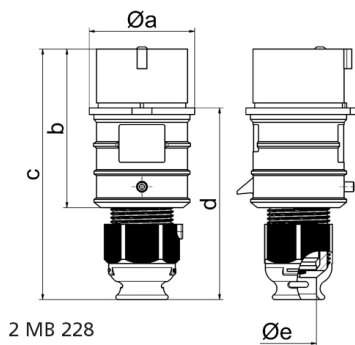
Product description	
BALS-Prd.-Nr	210550
EAN	4024941104661
product group	TE plug
current	16A
number of poles	7p
Arrangement of the phases	6p+PE
position of earth contact	9 h
voltage (V)	230V
frequency	50 and 60Hz

Product description	
protection degree	IP44
colour code	blue RAL 5015
Colour of appliance	Collar blue, Cable gland grey, Housing cover blue
connection design	screw terminal
maximum conductor size (LQ)	2,5 qmm
cable entry (KE)	Cable gland
Height	154mm
Width	65mm
Depth	74mm
material of enclosure	Polyamide
contact	The contact carrier is made of high temperature resistant material, the contacts are brass nickel plated

Additional technical information	
	For cable diameter from 10 up to max. 21 mm, Multi-Grip cable gland with gasket, integrated cable clamp and additional water evacuation openings

Logistics data	
Weight/pcs	0.219 kg / Piece
Packaging	Bag
Content amount	1 ST
EAN	4024941104661

Logistics data	
Length	74 mm
Width	65 mm
Height	154 mm
Weight	0.22 kg
Volume	740.74 ccm
Packaging	Carton
Content amount	10 ST
EAN	4024941967587
Length	245 mm
Width	177 mm
Height	185 mm
Weight	2.323 kg
Volume	7,140 ccm



Ampere	16	32						
Polzahl	7	7						
a ø	65,0	72,0						
b	97,0	117,0						
c	152,0	181,0						
d	116,0	135,5						
e ø	21,0	27,0						
Leiter mm ² min	1	2,5						
Leiter mm ² max	2,5	6						