

with cable gland, with closure cap



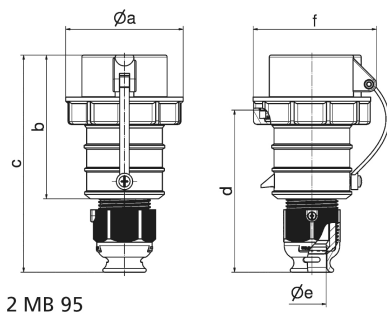
Product description	
BALS-Prd.-Nr	210405
EAN	4024941108232
product group	Quick-Connect TN plug
current	16A
number of poles	4p
Arrangement of the phases	3P+PE
position of earth contact	11 h
voltage (V)	440 up to 460V
frequency	60Hz

Product description	
VG-Type-No.:	VG 96919 CP 021
protection degree	IP67
colour code	bronze-green RAL 6031-F9
Colour of appliance	Cable gland bronze-green, Bayonet ring bronze-green, Housing cover bronze-green, Collar bronze-green, Closure cap bronze-green
connection design	screwless spring-clamp
maximum conductor size (LQ)	2,5 qmm
cable entry (KE)	Cable gland
Height	151mm
Width	78.5mm
Depth	83mm
material of enclosure	Polyamide
contact	The contact carrier is made of high temperature resistant material, the contacts are brass nickel plated

Additional technical information	
	For cable diameter from 8 up to max. 18 mm, Multi-Grip cable gland with gasket, integrated cable clamp and additional water evacuation openings
	With closure cap

Logistics data	
Weight/pcs	0.209 kg / Piece
Packaging	Bag

Logistics data	
Content amount	1 ST
EAN	4024941108232
Length	83 mm
Width	78.5 mm
Height	151 mm
Weight	0.21 kg
Volume	983.841 ccm
Packaging	Carton
Content amount	10 ST
EAN	4024941838993
Length	258 mm
Width	183 mm
Height	212 mm
Weight	2.242 kg
Volume	8,750 ccm



Ampere Polzahl	16 3	16 4	16 5	32 3	32 4	32 5
a ø	70,0	78,0	86,0	94,0	94,0	101,0
b	103,5	104,0	105,5	127,0	127,0	129,5
c	153,5	154,0	160,5	187,0	187,0	193,5
d	111,0	111,0	119,0	136,0	136,0	138,5
e ø	18,0	18,0	21,0	23,5	23,5	27,0
f	75,5	82,5	91,0	96,5	96,5	104,5
Leiter mm ² min	1,0	1,0	1,0	2,5	2,5	2,5
Leiter mm ² max	2,5	2,5	2,5	6,0	6,0	6,0