

with cable gland, with closure cap

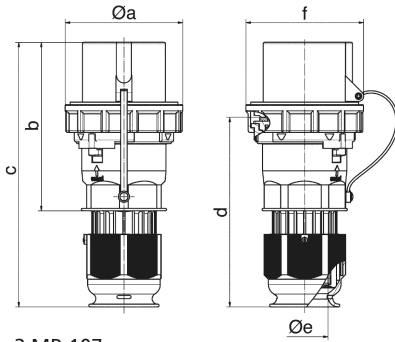


Product description	
BALS-Prd.-Nr	21033
EAN	4024941210331
Product category	TN plug
Current	125A
Number of poles	5p
Number of poles	3p+N+PE
Position of earth contact	6 h
Voltage	200/346 up to 240/415V
Frequency	50 and 60Hz

Product description	
VG-Type-No.:	VG 96919 CP 013
Supplynumber:	5935-12-327-8595
Protection degree	IP67
Colour code	bronze-green RAL 6031-F9
Colour of appliance	Pusher black RAL 9005, Cable gland bronze-green RAL 6031-F9, Bayonet ring bronze-green RAL 6031-F9, Housing cover bronze-green RAL 6031-F9, Collar bronze-green RAL 6031-F9
Connection design	box terminal
Maximum conductor size	50.0 qmm
Cable entry	Cable gland
Height	282mm
Width	126mm
Depth	126mm
Material of enclosure	Polyamide
Contact	The contact carrier is made of high temperature resistant material, the contacts are brass nickel plated

Additional technical information	
	For cable diameter from 26 up to max. 50 mm, Multi-Grip cable gland with gasket, integrated cable clamp and additional water evacuation openings
	With closure cap

Logistics data	
Weight/pcs	1.33 kg / Piece
Packaging	Bag
Content amount	1 ST
EAN	4024941210331
Length	126 mm
Width	126 mm
Height	282 mm
Weight	1.331 kg
Volume	4,477.032 ccm
Packaging	Carton
Content amount	5 ST
EAN	4024941839150
Length	345 mm
Width	345 mm
Height	217 mm
Weight	6.985 kg
Volume	24,276 ccm



2 MB 107

Ampere Polzahl	63 3	63 4	63 5	125 3	125 4	125 5
a Ø	113,5	113,5	113,5	126,0	126,0	126,0
b	169,0	169,0	169,0	185,0	185,0	185,0
c	250,0	250,0	250,0	286,0	286,0	286,0
d	177,0	177,0	177,0	206,0	206,0	206,0
e Ø	36,0	36,0	36,0	50,0	50,0	50,0
f	112,5	112,5	112,5	125,0	125,0	125,0
Leiter mm ² min	6,0	6,0	6,0	16,0	16,0	16,0
Leiter mm ² max	25,0	25,0	25,0	50,0	50,0	50,0