

with cable gland, with closure cap



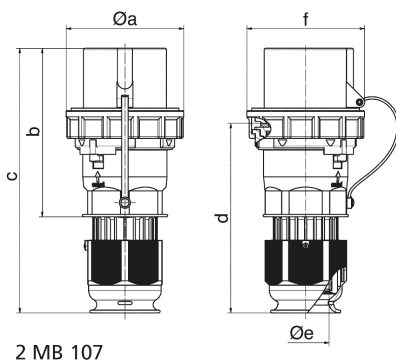
Product description	
BALS-Prd.-Nr	210265
EAN	4024941100670
product group	TN plug
current	125A
number of poles	4p
Arrangement of the phases	3P+PE
position of earth contact	6 h
voltage (V)	380 up to 415V
frequency	50 and 60Hz

Product description	
VG-Type-No.:	VG 96919 CP 033
protection degree	IP67
colour code	bronze-green RAL 6031-F9
Colour of appliance	Pusher black, Cable gland bronze-green, Bayonet ring bronze-green, Housing cover bronze-green, Collar bronze-green
connection design	box terminal
maximum conductor size (LQ)	50.0 qmm
cable entry (KE)	Cable gland
Height	282mm
Width	126mm
Depth	126mm
material of enclosure	Polyamide
contact	The contact carrier is made of high temperature resistant material, the contacts are brass nickel plated

Additional technical information	
	For cable diameter from 26 up to max. 50 mm, Screwless housing connection, Multi-Grip cable gland with gasket, integrated cable clamp and additional water evacuation openings
	With closure cap

Logistics data	
Weight/pcs	1.22 kg / Piece

Logistics data	
Packaging	Bag
Content amount	1 ST
EAN	4024941100670
Length	126 mm
Width	126 mm
Height	282 mm
Weight	1.221 kg
Volume	4,477.032 ccm
Packaging	Carton
Content amount	5 ST
EAN	4024941839143
Length	345 mm
Width	345 mm
Height	217 mm
Weight	6.435 kg
Volume	24,276 ccm



Ampere	63	63	63	125	125	125
Polzahl	3	4	5	3	4	5
a ø	113,5	113,5	113,5	126,0	126,0	126,0
b	169,0	169,0	169,0	185,0	185,0	185,0
c	250,0	250,0	250,0	286,0	286,0	286,0
d	177,0	177,0	177,0	206,0	206,0	206,0
e ø	36,0	36,0	36,0	50,0	50,0	50,0
f	112,5	112,5	112,5	125,0	125,0	125,0
Leiter mm² min	6,0	6,0	6,0	16,0	16,0	16,0
Leiter mm² max	25,0	25,0	25,0	50,0	50,0	50,0