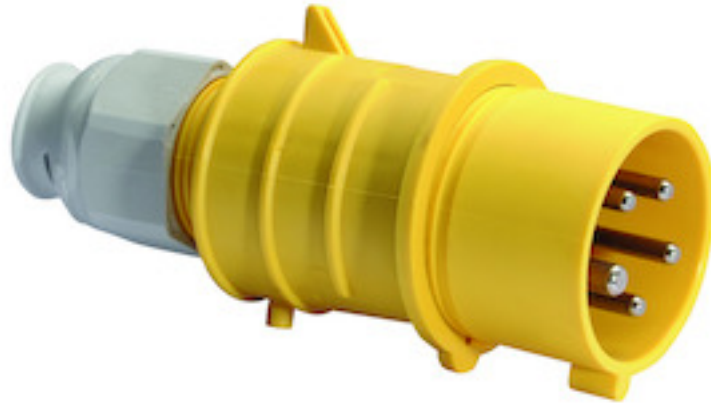


plug - with screwless terminals, for harsh applications



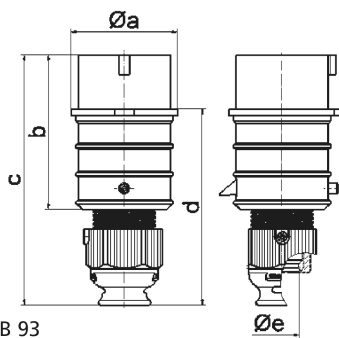
Product description	
BALS-Prd.-Nr	210193
EAN	4024941100304
product group	Quick-Connect TE plug
current	32A
number of poles	5p
Arrangement of the phases	3p+N+PE
position of earth contact	4 h
voltage (V)	57/100 up to 75/130V
frequency	50 and 60Hz

Product description	
protection degree	IP44
colour code	yellow RAL 1012
Colour of appliance	Collar yellow, Cable gland grey, Housing cover yellow
connection design	screwless spring-clamp
maximum conductor size (LQ)	6,0 qmm
cable entry (KE)	Cable gland
Height	181mm
Width	72mm
Depth	87mm
material of enclosure	Polyamide
contact	The contact carrier is made of high temperature resistant material, the contacts are brass nickel plated

Additional technical information	
	For cable diameter from 13 up to max. 27 mm, Multi-Grip cable gland with gasket, integrated cable clamp and additional water evacuation openings

Logistics data	
Weight/pcs	0.294 kg / Piece
Packaging	Bag
Content amount	1 ST
EAN	4024941100304

Logistics data	
Length	87 mm
Width	72 mm
Height	181 mm
Weight	0.295 kg
Volume	1,133.784 ccm
Packaging	Carton
Content amount	10 ST
EAN	4024941831642
Length	258 mm
Width	183 mm
Height	212 mm
Weight	3.092 kg
Volume	8,750 ccm



2 MB 93

Ampere	16	16	16	32	32	32
Polzahl	3	4	5	3	4	5
a \varnothing	51,0	57,5	65,0	66,0	66,0	72,0
b	95,0	95,0	97,0	118,0	118,0	117,0
c	145,0	145,0	152,0	178,0	178,0	181,0
d	109,0	109,0	116,0	133,0	133,0	135,5
e \varnothing	18,0	18,0	21,0	23,0	23,0	27,0
Leiter mm ² min	1	1	1	2,5	2,5	2,5
Leiter mm ² max	2,5	2,5	2,5	6	6	6