

plug - with screwless terminals, for harsh applications



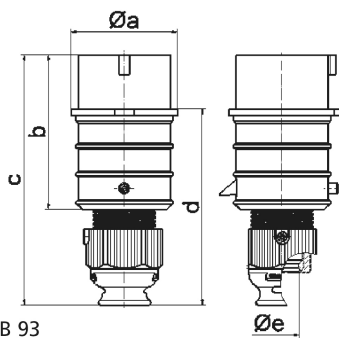
Product description	
BALS-Prd.-Nr	210178
EAN	4024941100151
product group	Quick-Connect TE plug
current	16A
number of poles	5p
Arrangement of the phases	3p+N+PE
position of earth contact	7 h
voltage (V)	277/480 up to 288/500V
frequency	50 and 60Hz

Product description	
protection degree	IP44
colour code	black RAL 9005
Colour of appliance	Collar black, Cable gland grey, Housing cover black
connection design	screwless spring-clamp
maximum conductor size (LQ)	2,5 qmm
cable entry (KE)	Cable gland
Height	154mm
Width	65mm
Depth	74mm
material of enclosure	Polyamide
contact	The contact carrier is made of high temperature resistant material, the contacts are brass nickel plated

Additional technical information	
	For cable diameter from 10 up to max. 21 mm, Multi-Grip cable gland with gasket, integrated cable clamp and additional water evacuation openings

Logistics data	
Weight/pcs	0.182 kg / Piece
Packaging	Bag
Content amount	1 ST
EAN	4024941100151

Logistics data	
Length	74 mm
Width	65 mm
Height	154 mm
Weight	0.183 kg
Volume	740.74 ccm
Packaging	Carton
Content amount	10 ST
EAN	4024941831703
Length	245 mm
Width	177 mm
Height	185 mm
Weight	1.953 kg
Volume	7,140 ccm



2 MB 93

Ampere	16	16	16	32	32	32
Polzahl	3	4	5	3	4	5
a \varnothing	51,0	57,5	65,0	66,0	66,0	72,0
b	95,0	95,0	97,0	118,0	118,0	117,0
c	145,0	145,0	152,0	178,0	178,0	181,0
d	109,0	109,0	116,0	133,0	133,0	135,5
e \varnothing	18,0	18,0	21,0	23,0	23,0	27,0
Leiter mm ² min	1	1	1	2,5	2,5	2,5
Leiter mm ² max	2,5	2,5	2,5	6	6	6