

plug - with screwless terminals, for harsh applications



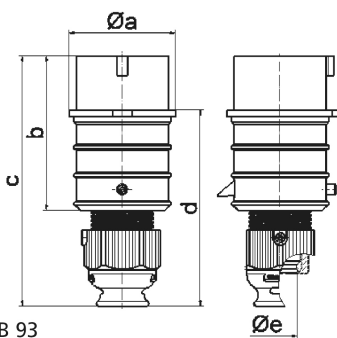
Product description	
BALS-Prd.-Nr	210171
EAN	4024941100106
product group	Quick-Connect TE plug
current	16A
number of poles	3p
Arrangement of the phases	2P+PE
position of earth contact	2 h
voltage (V)	> 50V
frequency	over 300 up to 500Hz

Product description	
protection degree	IP44
colour code	green RAL 6002
Colour of appliance	Cable gland grey, Housing cover green, Collar green
connection design	screwless spring-clamp
maximum conductor size (LQ)	2,5 qmm
cable entry (KE)	Cable gland
Height	147mm
Width	51mm
Depth	59mm
material of enclosure	Polyamide
contact	The contact carrier is made of high temperature resistant material, the contacts are brass nickel plated

Additional technical information	
	For cable diameter from 8 up to max. 18 mm, Multi-Grip cable gland with gasket, integrated cable clamp and additional water evacuation openings

Logistics data	
Weight/pcs	0.126 kg / Piece
Packaging	Carton
Content amount	10 ST
EAN	4024941831741

Logistics data	
Length	248 mm
Width	158 mm
Height	123 mm
Weight	1.357 kg
Volume	3,960 ccm



2 MB 93

Ampere	16	16	16	32	32	32
Polzahl	3	4	5	3	4	5
a ø	51,0	57,5	65,0	66,0	66,0	72,0
b	95,0	95,0	97,0	118,0	118,0	117,0
c	145,0	145,0	152,0	178,0	178,0	181,0
d	109,0	109,0	116,0	133,0	133,0	135,5
e ø	18,0	18,0	21,0	23,0	23,0	27,0
Leiter mm² min	1	1	1	2,5	2,5	2,5
Leiter mm² max	2,5	2,5	2,5	6	6	6