

## plug - with screwless terminals, for harsh applications



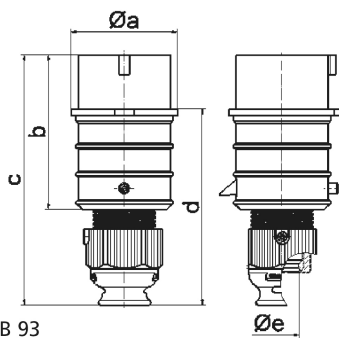
Product description	
BALS-Prd.-Nr	210170
EAN	4024941100090
product group	Quick-Connect TE plug
current	16A
number of poles	3p
Arrangement of the phases	2P+PE
position of earth contact	10 h
voltage (V)	> 50V
frequency	100 up to 300Hz

Product description	
protection degree	IP44
colour code	green RAL 6002
Colour of appliance	Cable gland grey, Housing cover green, Collar green
connection design	screwless spring-clamp
maximum conductor size (LQ)	2,5 qmm
cable entry (KE)	Cable gland
Height	147mm
Width	51mm
Depth	59mm
material of enclosure	Polyamide
contact	The contact carrier is made of high temperature resistant material, the contacts are brass nickel plated

Additional technical information	
	For cable diameter from 8 up to max. 18 mm, Multi-Grip cable gland with gasket, integrated cable clamp and additional water evacuation openings

Logistics data	
Weight/pcs	0.123 kg / Piece
Packaging	Bag
Content amount	1 ST
EAN	4024941100090

Logistics data	
Length	59 mm
Width	51 mm
Height	147 mm
Weight	0.124 kg
Volume	442.323 ccm
Packaging	Carton
Content amount	10 ST
EAN	4024941826327
Length	248 mm
Width	158 mm
Height	123 mm
Weight	1.327 kg
Volume	3,960 ccm



2 MB 93

Ampere	16	16	16	32	32	32
Polzahl	3	4	5	3	4	5
a $\varnothing$	51,0	57,5	65,0	66,0	66,0	72,0
b	95,0	95,0	97,0	118,0	118,0	117,0
c	145,0	145,0	152,0	178,0	178,0	181,0
d	109,0	109,0	116,0	133,0	133,0	135,5
e $\varnothing$	18,0	18,0	21,0	23,0	23,0	27,0
Leiter mm <sup>2</sup> min	1	1	1	2,5	2,5	2,5
Leiter mm <sup>2</sup> max	2,5	2,5	2,5	6	6	6