

## plug - with screw terminals one piece housing



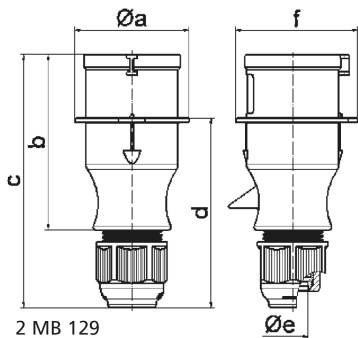
Product description	
BALS-Prd.-Nr	21009-TLS
EAN	4024941199162
product category	TLS plug with Multi-Grip cable gland
current	16A
number of poles	5p
number of poles	3p+N+PE
position of earth contact	4 h
voltage	57/100 up to 75/130V
frequency	50 and 60Hz

Product description	
protection degree	IP44
colour code	yellow RAL 1012
Colour of appliance	Enclosure yellow, Cable gland grey
connection design	screw terminal
maximum conductor size	2,5 qmm
cable entry	Cable gland
Height	146mm
Width	66mm
Depth	75mm
material of enclosure	Polyamide
contact	The contact carrier is made of polyamide, The contacts are brass

Additional technical information	
	one piece housing, Multi-Grip cable gland with gasket and integrated strain relief, For cable diameter from 8 up to max. 18 mm

Logistics data	
Weight/pcs	0.146 kg / Piece
Packaging	Bag
Content amount	1 ST
EAN	4024941199162
Length	75 mm

Logistics data	
Width	66 mm
Height	146 mm
Weight	0.147 kg
Volume	722.7 ccm
Packaging	Carton
Content amount	10 ST
EAN	4024941826815
Length	275 mm
Width	175 mm
Height	137 mm
Weight	1.585 kg
Volume	5,737.5 ccm



Ampere	16	16	16	32	32	32
Polzahl	3	4	5	3	4	5
a ø	54,0	60,0	66,0	71,0	71,0	80,0
b	94,5	98,0	101,0	115,0	115,0	119,0
c	138,0	142,0	145,0	170,0	170,0	174,0
d	101,5	105,5	108,5	124,0	124,0	128,0
e ø	18,0	18,0	18,0	23,0	23,0	23,0
f	56,6	64,0	71,0	76,0	76,0	85,0
Leiter mm <sup>2</sup> min	1	1	1	2,5	2,5	2,5
Leiter mm <sup>2</sup> max	2,5	2,5	2,5	6	6	6