

plug - 7 poles, with Multi-Grip



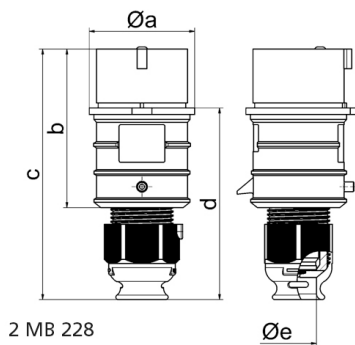
| Product description | |
|---------------------------|---------------|
| BALS-Prd.-Nr | 210067 |
| EAN | 4024941103527 |
| product group | TE plug |
| current | 32A |
| number of poles | 7p |
| Arrangement of the phases | 6p+PE |
| position of earth contact | 6 h |
| voltage (V) | 400V |
| frequency | 50 and 60Hz |

| Product description | |
|-----------------------------|--|
| protection degree | IP44 |
| colour code | red RAL 3000 |
| Colour of appliance | Housing cover grey, anti-kink sleeve grey, Collar grey |
| connection design | screw terminal |
| maximum conductor size (LQ) | 6,0 qmm |
| cable entry (KE) | Cable gland |
| Height | 181mm |
| Width | 72mm |
| Depth | 87mm |
| material of enclosure | Polyamide |
| contact | The contact carrier is made of high temperature resistant material, the contacts are brass nickel plated |

| Additional technical information | |
|----------------------------------|--|
| | For cable diameter from 13 up to max. 27 mm, Multi-Grip cable gland with gasket, integrated cable clamp and additional water evacuation openings |

| Logistics data | |
|----------------|------------------|
| Weight/pcs | 0.345 kg / Piece |
| Packaging | Bag |
| Content amount | 1 ST |
| EAN | 4024941103527 |

| Logistics data | |
|----------------|---------------|
| Length | 87 mm |
| Width | 72 mm |
| Height | 181 mm |
| Weight | 0.346 kg |
| Volume | 1,133.784 ccm |
| Packaging | Carton |
| Content amount | 10 ST |
| EAN | 4024941941785 |
| Length | 295 mm |
| Width | 185 mm |
| Height | 215 mm |
| Weight | 3.614 kg |
| Volume | 9,975 ccm |



| | | | | | | | |
|----------------------------|-------|-------|--|--|--|--|--|
| Ampere | 16 | 32 | | | | | |
| Polzahl | 7 | 7 | | | | | |
| a ø | 65,0 | 72,0 | | | | | |
| b | 97,0 | 117,0 | | | | | |
| c | 152,0 | 181,0 | | | | | |
| d | 116,0 | 135,5 | | | | | |
| e ø | 21,0 | 27,0 | | | | | |
| Leiter mm ² min | 1 | 2,5 | | | | | |
| Leiter mm ² max | 2,5 | 6 | | | | | |
| | | | | | | | |
| | | | | | | | |
| | | | | | | | |
| | | | | | | | |
| | | | | | | | |