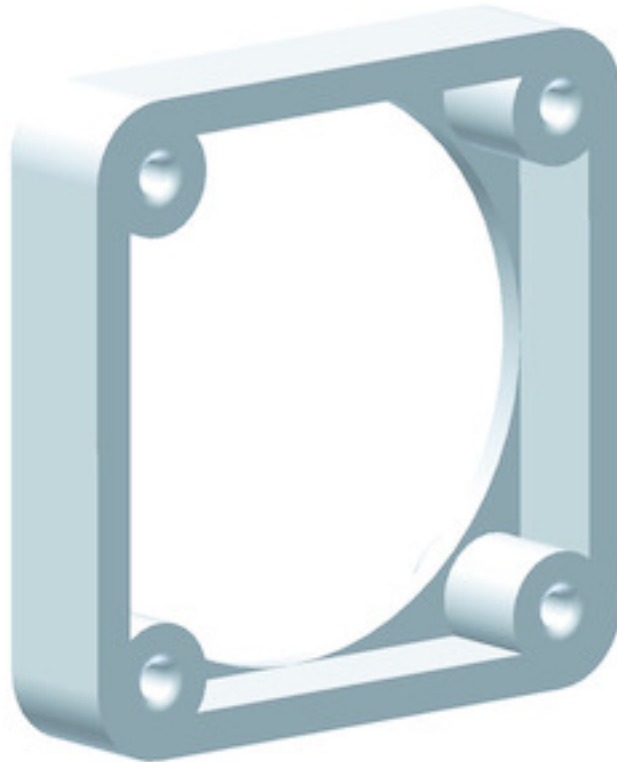


## Accessories sockets - 60x52



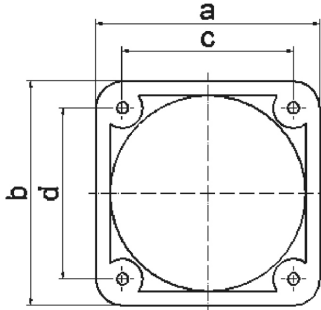
Product description	
BALS-Prd.-Nr	1851
EAN	4024941018517
Product category	Mounting frame
Colour code	gray RAL 7035
Height	70mm
Width	62mm
Depth	10mm
Flange size vertical	62mm
Flange size horizontal	70mm

Product description	
Drill hole distance vertical	52mm
Drill hole distance horizontal	60mm
Material of enclosure	Polyamide

Logistics data	
Weight/pcs	0.017 kg / Piece
Packaging	Bag
Content amount	1 ST
EAN	4024941018517
Length	10 mm
Width	62 mm
Height	70 mm
Weight	0.018 kg
Volume	43.4 ccm
Packaging	Carton
Content amount	100 ST
EAN	4024941327022
Length	275 mm
Width	175 mm
Height	137 mm
Weight	1.825 kg

**Logistics data**

Volume	5,737.5 ccm
--------	-------------



a	b	c	d	e	Bestell-Nr.
50	50	38	38	13	1843
54	54	44	44	10	1847
57	66	47	47	10	1848
60	60	50	50	10	1849
62	62	52	52	10	1850
62	70	52	60	10	1851

30 MB 182