

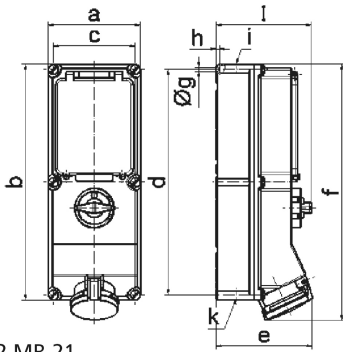
wall mounting socket outlet, switched, interlocked, fused, chemically resistant - housing dimensions 365x134, with fuse base D 0



| Product description | |
|-------------------------------|---|
| BALS-Prd.-Nr | 17618 |
| EAN | 4024941176187 |
| product category (PG) | TE wall mounting socket outlet switched, interlocked, fused |
| current (A) | 32A |
| number of poles (P99) | 5p |
| number of poles (P) | 3p+N+PE |
| position of earth contact (H) | 6 h |

| Product description | |
|-----------------------------|--|
| Voltage | 200/346 up to 240/415V |
| frequency (HZ) | 50 and 60Hz |
| protection degree (SA) | IP44 |
| colour code 1 (KF1) | red RAL 3000 |
| Colour of appliance | Housing top lightbeige, Hinged lid red, Housing bottom lightbeige, Operating window lightbeige, Control knob lightbeige, Housing screws lightbeige |
| connection design (AT) | screwless sping/cage/kontex |
| maximum conductor size (LQ) | 10,0 qmm |
| cable entry (KE) | top entry M40/M32, bottom entry M40/32 |
| Height | 391mm |
| Width | 134mm |
| Depth | 153mm |
| dimension of enclosure (GG) | 365x134 mm (HxW) |
| material of enclosure (GM) | Polycarbonate - Polyethylene terephthalate light beige |
| contact | The contact carrier is made of high temperature resistant material, the contacts are brass nickel plated |

| Additional technical information | |
|----------------------------------|--|
| | cable entry two at top and two at bottom (open) |
| | In 0-position lockable for 3 padlocks with bow diameter up to 7 mm |
| | With fuse base 3 pole D02 |



12 MB 21

| Ampere | 16 | 16 | 32 | 32 | 63 | 63 |
|---------|--------|--------|--------|--------|--------|--------|
| Polzahl | 4 | 5 | 4 | 5 | 4 | 5 |
| a | 134,0 | 134,0 | 134,0 | 134,0 | 180,0 | 180,0 |
| b | 365,0 | 365,0 | 365,0 | 365,0 | 460,0 | 460,0 |
| c | 117,0 | 117,0 | 117,0 | 117,0 | 160,0 | 160,0 |
| d | 348,0 | 348,0 | 348,0 | 348,0 | 440,0 | 440,0 |
| e | 135,0 | 141,0 | 146,0 | 152,0 | 184,0 | 184,0 |
| f | 382,0 | 382,0 | 391,0 | 391,0 | 500,0 | 500,0 |
| g Ø | 6,5 | 6,5 | 6,5 | 6,5 | 8,3 | 8,3 |
| h | 8,0 | 8,0 | 8,0 | 8,0 | 6,5 | 6,5 |
| i | M25/32 | M25/32 | M32/40 | M32/40 | M40 | M40 |
| k | M25/32 | M25/32 | M32/40 | M32/40 | M32/40 | M32/40 |
| l | 156,0 | 156,0 | 156,0 | 156,0 | 189,0 | 189,0 |