

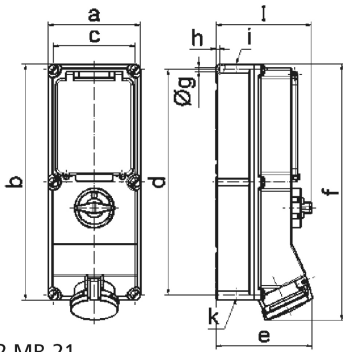
wall mounting socket outlet, switched, interlocked, fused, chemically resistant - housing dimensions 365x134, with mounting rail



Product description	
BALS-Prd.-Nr	17612
EAN	4024941176125
product category (PG)	TE wall mounting socket outlet switched, interlocked, fused
current (A)	32A
number of poles (P99)	5p
number of poles (P)	3p+N+PE
position of earth contact (H)	6 h

Product description	
Voltage	200/346 up to 240/415V
frequency (HZ)	50 and 60Hz
protection degree (SA)	IP44
colour code 1 (KF1)	red RAL 3000
Colour of appliance	Housing top lightbeige, Hinged lid red, Housing bottom lightbeige, Operating window lightbeige, Control knob lightbeige, Housing screws lightbeige
connection design (AT)	screwless spring/cage/kontex
maximum conductor size (LQ)	10,0 qmm
cable entry (KE)	top entry M40/M32, bottom entry M40/32
Height	391mm
Width	134mm
Depth	153mm
dimension of enclosure (GG)	365x134 mm (HxW)
material of enclosure (GM)	Polycarbonate - Polyethylene terephthalate light beige
contact	The contact carrier is made of high temperature resistant material, the contacts are brass nickel plated

Additional technical information	
	cable entry two at top and two at bottom (open)
	In 0-position lockable for 3 padlocks with bow diameter up to 7 mm
	With mounting rail, With mounting rail for 6 modules, vertical



12 MB 21

Ampere	16	16	32	32	63	63
Polzahl	4	5	4	5	4	5
a	134,0	134,0	134,0	134,0	180,0	180,0
b	365,0	365,0	365,0	365,0	460,0	460,0
c	117,0	117,0	117,0	117,0	160,0	160,0
d	348,0	348,0	348,0	348,0	440,0	440,0
e	135,0	141,0	146,0	152,0	184,0	184,0
f	382,0	382,0	391,0	391,0	500,0	500,0
g Ø	6,5	6,5	6,5	6,5	8,3	8,3
h	8,0	8,0	8,0	8,0	6,5	6,5
i	M25/32	M25/32	M32/40	M32/40	M40	M40
k	M25/32	M25/32	M32/40	M32/40	M32/40	M32/40
l	156,0	156,0	156,0	156,0	189,0	189,0