

wall mounting socket outlet, switched, interlocked, fused, chemically resistant - housing dimension 460x180, with fuse base D 02

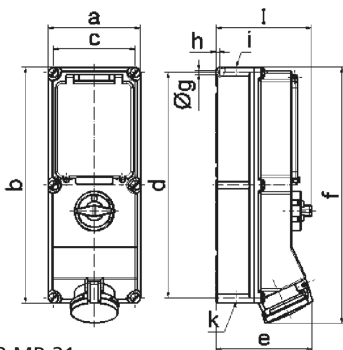


Product description	
BALS-Prd.-Nr	17569
EAN	4024941175692
product category	TE wall mounting socket outlet switched, interlocked, fused
current	63A
number of poles	5p
number of poles	3p+N+PE
position of earth contact	6 h

Product description	
voltage	200/346 up to 240/415V
frequency	50 and 60Hz
protection degree	IP44
colour code	red RAL 3000
Colour of appliance	Housing top lightbeige, Hinged lid red, Housing bottom lightbeige, Operating window lightbeige, Control knob lightbeige, Housing screws lightbeige
connection design	screw terminal as box terminal with Kontex-contact
maximum conductor size	25.0 qmm
cable entry	top entry M40, bottom entry M40/M32
Height	500mm
Width	180mm
Depth	191mm
dimension of enclosure	460x180 mm (HxW)
material of enclosure	Polycarbonate - Polyethylene terephthalate light beige
contact	The contact carrier is made of high temperature resistant material, the contacts are brass nickel plated

Additional technical information	
	The cable entry is one at top and two at bottom open
	In 0-position lockable for 4 padlocks with bow diameter up to 7 mm
	With fuse base 3 pole D02

Logistics data	
Weight/pcs	3.88 kg / Piece
Packaging	Carton
Content amount	1 ST
EAN	4024941175692
Length	560 mm
Width	215 mm
Height	260 mm
Weight	4.342 kg
Volume	26,400 ccm



12 MB 21

Ampere	16	16	32	32	63	63
Polzahl	4	5	4	5	4	5
a	134,0	134,0	134,0	134,0	180,0	180,0
b	365,0	365,0	365,0	365,0	460,0	460,0
c	117,0	117,0	117,0	117,0	160,0	160,0
d	348,0	348,0	348,0	348,0	440,0	440,0
e	135,0	141,0	146,0	152,0	184,0	184,0
f	382,0	382,0	391,0	391,0	500,0	500,0
g Ø	6,5	6,5	6,5	6,5	8,3	8,3
h	8,0	8,0	8,0	8,0	6,5	6,5
i	M25/32	M25/32	M32/40	M32/40	M40	M40
k	M25/32	M25/32	M32/40	M32/40	M32/40	M32/40
l	156,0	156,0	156,0	156,0	189,0	189,0