

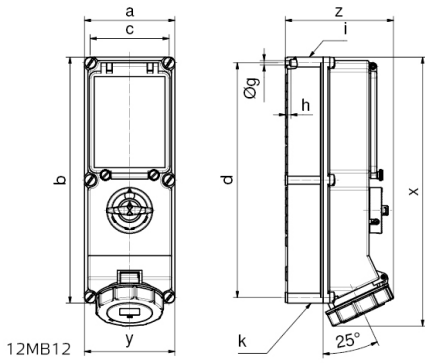
wall mounting socket outlet, switched, interlocked and fused - housing dimension 460x180, with fuse base D III



Product description	
BALS-Prd.-Nr	17546
EAN	4024941175463
product category (PG)	GT wall mounting socket outlet switched interlocked, fused
current (A)	63A
number of poles (P99)	4p
number of poles (P)	3P+PE
position of earth contact (H)	6 h
voltage (V)	380 up to 415V

Product description	
frequency (HZ)	50 and 60Hz
protection degree (SA)	IP67
colour code 1 (KF1)	red RAL 3000
Colour of appliance	Operating window smoky topaz, Hinged lid red, Bayonet ring grey, Housing screws grey, Housing bottom grey, Housing top grey, Control knob grey
connection design (AT)	screw terminal as box terminal with Kontex-contact
maximum conductor size (LQ)	25.0 qmm
cable entry (KE)	top entry M40, bottom entry M40/M32
Height	503mm
Width	180mm
Depth	192mm
dimension of enclosure (GG)	460x180 mm (HxW)
material of enclosure (GM)	Polycarbonate
contact	The contact carrier is made of high temperature resistant material, the contacts are brass nickel plated

Additional technical information	
	The cable entry is one at top and two at bottom open
	In 0-position lockable for 4 padlocks with bow diameter up to 7 mm
	With fuse base 3 pole D III



Ampere Poles	16 4	16 5	32 4	32 5	63 4	63 5
a	134	134	134	134	180	180
b	365	365	365	365	460	460
c	117	117	117	117	160	160
d	348	348	348	348	440	440
Øg	6,5	6,5	6,5	6,5	8,3	8,3
h	8	8	8	8	6,5	6,5
i	M32/25	M32/25	M40/32	M40/32	M40	M40
k	M32/25	M32/25	M40/32	M40/32	M40/32	M40/32
x	390	390	400	400	503	503
y	134	134	134	134	180	180
z	153	153	154	161	192	192