

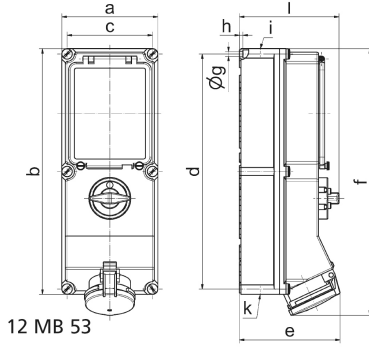
wall mounting socket outlet, switched, interlocked and fused - housing dimensions 460x180, with fuse base D 02 and RCCB



Product description	
BALS-Prd.-Nr	17535
EAN	4024941175357
Product category	GT wall mounting socket outlet switched interlocked, fused
Current	63A
Number of poles	4p
Number of poles	3P+PE
Position of earth contact	9 h

Product description	
Voltage	200 up to 250V
Frequency	50 and 60Hz
Protection degree	IP44
Colour code	blue RAL 5015
Colour of appliance	Operating window smoky topaz, Hinged lid blue RAL 5015, Housing screws grey RAL 7035, Housing bottom grey RAL 7035, Housing top grey RAL 7035, Control knob grey RAL 7035
Connection design	kontex contact
Maximum conductor size	25.0 qmm
Cable entry	top entry M40, bottom entry M40/M32
Height	500mm
Width	180mm
Depth	191mm
dimension of enclosure (GG)	460x180 mm (HxW)
Material of enclosure	Polycarbonate
Contact	The contact carrier is made of high temperature resistant material, the contacts are brass nickel plated

Additional technical information	
	The cable entry is one at top and two at bottom open
	In 0-position lockable for 4 padlocks with bow diameter up to 7 mm
	With fuse base 3 pole D02, with 4 pole 63/0.03A RCCB



Ampere	63	63	63				
Polzahl	3	4	5				
a	180,0	180,0	180,0				
b	460,0	460,0	460,0				
c	160,0	160,0	160,0				
d	440,0	440,0	440,0				
e	184,0	184,0	184,0				
f	500,0	500,0	500,0				
g ø	8,3	8,3	8,3				
h	6,5	6,5	6,5				
i	M40	M40	M40				
k	M40/32	M40/32	M40/32				
l	189,0	189,0	189,0				
Leiter mm ² min	6	6	6				
Leiter mm ² max	25	25	25				