

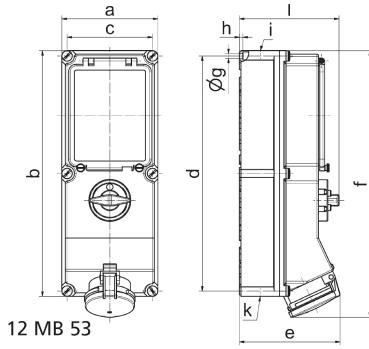
wall mounting socket outlet, switched, interlocked and fused - housing dimensions 460x180, with C-type circuit breaker



Product description	
BALS-Prd.-Nr	17533
EAN	4024941175333
product category	GT wall mounting socket outlet switched interlocked, fused
current	63A
number of poles	4p
number of poles	3P+PE
position of earth contact	6 h

Product description	
voltage	380 up to 415V
frequency	50 and 60Hz
protection degree	IP44
colour code	red RAL 3000
Colour of appliance	Operating window smoky topaz, Hinged lid red, Housing screws grey, Housing bottom grey, Housing top grey, Control knob grey
connection design	screw terminal as box terminal with Kontex-contact
maximum conductor size	25.0 qmm
cable entry	top entry M40, bottom entry M40/M32
Height	500mm
Width	180mm
Depth	191mm
dimension of enclosure	460x180 mm (HxW)
material of enclosure	Polycarbonate
contact	The contact carrier is made of high temperature resistant material, the contacts are brass nickel plated

Additional technical information	
	The cable entry is one at top and two at bottom open
	In 0-position lockable for 4 padlocks with bow diameter up to 7 mm
	With 3 pole C-type MCB



12 MB 53

Ampere Polzahl	63 3	63 4	63 5				
a	180,0	180,0	180,0				
b	460,0	460,0	460,0				
c	160,0	160,0	160,0				
d	440,0	440,0	440,0				
e	184,0	184,0	184,0				
f	500,0	500,0	500,0				
g ø	8,3	8,3	8,3				
h	6,5	6,5	6,5				
i	M40	M40	M40				
k	M40/32	M40/32	M40/32				
l	189,0	189,0	189,0				
Leiter mm <sup>2</sup> min	6	6	6				
Leiter mm <sup>2</sup> max	25	25	25				