

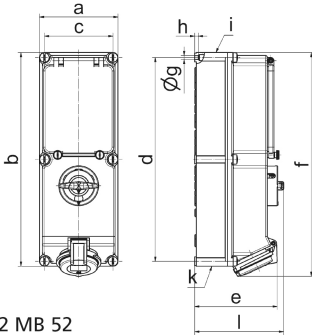
wall mounting socket outlet, switched, interlocked and fused - housing dimensions 365x134, with C-type circuit breaker



Product description	
BALS-Prd.-Nr	17189
EAN	4024941171892
Product category	GT wall mounting socket outlet switched interlocked, fused
Current	32A
Number of poles	5p
Number of poles	3p+N+PE
Position of earth contact	6 h

Product description	
Voltage	200/346 up to 240/415V
Frequency	50 and 60Hz
Protection degree	IP44
Colour code	red RAL 3000
Colour of appliance	Operating window smoky topaz, Hinged lid red RAL 3000, Housing screws grey RAL 7035, Housing bottom grey RAL 7035, Housing top grey RAL 7035, Control knob grey RAL 7035
Connection design	screwless sping/cage/kontex
Maximum conductor size	10,0 qmm
Cable entry	top entry M40/M32, bottom entry M40/32
Height	391mm
Width	134mm
Depth	153mm
dimension of enclosure (GG)	365x134 mm (HxW)
Material of enclosure	Polycarbonate
Contact	The contact carrier is made of high temperature resistant material, the contacts are brass nickel plated

Additional technical information	
	cable entry two at top and two at bottom (open)
	In 0-position lockable for 3 padlocks with bow diameter up to 7 mm
	With 3 pole C-type MCB



12 MB 52

Ampere	16	16	16	32	32	32
Polzahl	3	4	5	3	4	5
a	134,0	134,0	134,0	134,0	134,0	134,0
b	365,0	365,0	365,0	365,0	365,0	365,0
c	117,0	117,0	117,0	117,0	117,0	117,0
d	348,0	348,0	348,0	348,0	348,0	348,0
e	129,0	135,0	141,0	146,0	146,0	152,0
f	384,0	382,0	382,0	391,0	391,0	391,0
g ø	6,5	6,5	6,5	6,5	6,5	6,5
h	8,0	8,0	8,0	8,0	8,0	8,0
i	M25/20	M32/25	M32/25	M40/32	M40/32	M40/32
k	M25/20	M32/25	M32/25	M40/32	M40/32	M40/32
l	156,0	156,0	156,0	156,0	156,0	156,0
Leiter mm ² min	1,5	1,5	1,5	2,5	2,5	2,5
Leiter mm ² max	4	4	4	10	10	10

