

wall mounting socket outlet, switched, interlocked and fused - housing dimensions 365x134, with mounting rail

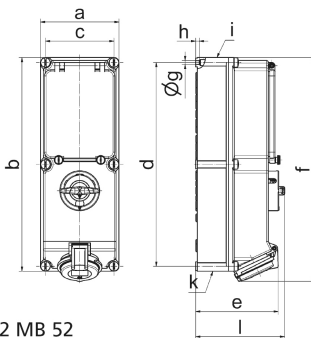


Product description	
BALS-Prd.-Nr	17166
EAN	4024941171663
product category (PG)	TE wall mounting socket outlet switched, interlocked, fused
current (A)	16A
number of poles (P99)	4p
number of poles (P)	3P+PE
position of earth contact (H)	7 h
voltage (V)	480 up to 500V

Product description	
frequency (HZ)	50 and 60Hz
protection degree (SA)	IP44
colour code 1 (KF1)	black RAL 9005
Colour of appliance	Hinged lid black RAL 9005, Operating window smoky topaz, Housing screws grey RAL 7035, Housing bottom grey RAL 7035, Housing top grey RAL 7035, Control knob grey RAL 7035
connection design (AT)	screwless spring/cage/kontex
maximum conductor size (LQ)	4,0 qmm
cable entry (KE)	top entry M32/M25, bottom entry M32/M25
Height	384mm
Width	134mm
Depth	153mm
dimension of enclosure (GG)	365x134 mm (HxW)
material of enclosure (GM)	Polycarbonate
contact	The contact carrier is made of high temperature resistant material, the contacts are brass nickel plated

Additional technical information	
	cable entry two at top and two at bottom (open)
	In 0-position lockable for 3 padlocks with bow diameter up to 7 mm
	With mounting rail, With mounting rail for 6 modules, vertical

Logistics data	
Weight/pcs	0.0 kg / Piece
Packaging	Carton
Content amount	1 ST
EAN	4024941171663
Length	387 mm
Width	222 mm
Height	150 mm
Weight	0.193 kg
Volume	11,029.5 ccm



Ampere	16	16	16	32	32	32
Polzahl	3	4	5	3	4	5
a	134,0	134,0	134,0	134,0	134,0	134,0
b	365,0	365,0	365,0	365,0	365,0	365,0
c	117,0	117,0	117,0	117,0	117,0	117,0
d	348,0	348,0	348,0	348,0	348,0	348,0
e	129,0	135,0	141,0	146,0	146,0	152,0
f	384,0	382,0	382,0	391,0	391,0	391,0
g ø	6,5	6,5	6,5	6,5	6,5	6,5
h	8,0	8,0	8,0	8,0	8,0	8,0
i	M25/20	M32/25	M32/25	M40/32	M40/32	M40/32
k	M25/20	M32/25	M32/25	M40/32	M40/32	M40/32
l	156,0	156,0	156,0	156,0	156,0	156,0
Leiter mm <sup>2</sup> min	1,5	1,5	1,5	2,5	2,5	2,5
Leiter mm <sup>2</sup> max	4	4	4	10	10	10