

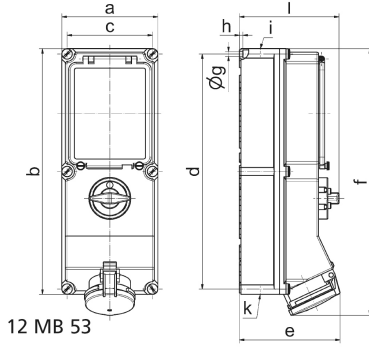
## wall mounting socket outlet, switched and fused - housing dimensions 460x180, with mounting rail



Product description	
BALS-Prd.-Nr	17059
EAN	4024941170598
product category (PG)	TE wall mounting socket outlet switched, fused
current (A)	63A
number of poles (P99)	4p
number of poles (P)	3P+PE
position of earth contact (H)	6 h
Voltage	380 up to 415V

Product description	
frequency (HZ)	50 and 60Hz
protection degree (SA)	IP44
colour code 1 (KF1)	red RAL 3000
Colour of appliance	Operating window smoky topaz, Hinged lid red, Housing screws grey, Housing bottom grey, Housing top grey, Control knob grey
connection design (AT)	kontex contact
maximum conductor size (LQ)	25.0 qmm
cable entry (KE)	top entry M40, bottom entry M40/M32
Height	500mm
Width	180mm
Depth	191mm
dimension of enclosure (GG)	460x180 mm (HxW)
material of enclosure (GM)	Polycarbonate
contact	The contact carrier is made of high temperature resistant material, the contacts are brass nickel plated

Additional technical information	
	The cable entry is one at top and two at bottom open
	In 0-position lockable for 4 padlocks with bow diameter up to 7 mm
	With mounting rail, With mounting rail for 8 modules, vertical



12 MB 53

Ampere Polzahl	63 3	63 4	63 5				
a	180,0	180,0	180,0				
b	460,0	460,0	460,0				
c	160,0	160,0	160,0				
d	440,0	440,0	440,0				
e	184,0	184,0	184,0				
f	500,0	500,0	500,0				
g ø	8,3	8,3	8,3				
h	6,5	6,5	6,5				
i	M40	M40	M40				
k	M40/32	M40/32	M40/32				
l	189,0	189,0	189,0				
Leiter mm <sup>2</sup> min	6	6	6				
Leiter mm <sup>2</sup> max	25	25	25				