

wall mounting socket outlet, switched and fused - housing dimensions 365x134, with mounting rail

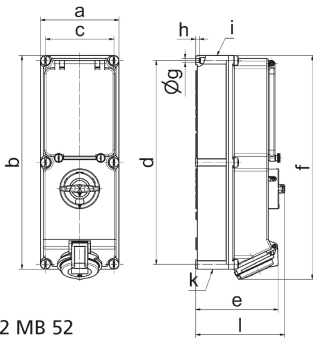


| Product description | |
|-------------------------------|--|
| BALS-Prd.-Nr | 17055 |
| EAN | 4024941170550 |
| product category (PG) | TE wall mounting socket outlet switched, fused |
| current (A) | 16A |
| number of poles (P99) | 4p |
| number of poles (P) | 3P+PE |
| position of earth contact (H) | 6 h |
| Voltage | 380 up to 415V |

| Product description | |
|-----------------------------|---|
| frequency (HZ) | 50 and 60Hz |
| protection degree (SA) | IP44 |
| colour code 1 (KF1) | red RAL 3000 |
| Colour of appliance | Operating window smoky topaz, Hinged lid red, Housing screws grey, Housing bottom grey, Housing top grey, Control knob grey |
| connection design (AT) | screwless sping/cage/kontex |
| maximum conductor size (LQ) | 4,0 qmm |
| cable entry (KE) | top entry M32/M25, bottom entry M32/M25 |
| Height | 384mm |
| Width | 134mm |
| Depth | 153mm |
| dimension of enclosure (GG) | 365x134 mm (HxW) |
| material of enclosure (GM) | Polycarbonate |
| contact | The contact carrier is made of high temperature resistant material, the contacts are brass nickel plated |

| Additional technical information | |
|----------------------------------|--|
| | cable entry two at top and two at bottom (open) |
| | In 0-position lockable for 3 padlocks with bow diameter up to 7 mm |
| | With mounting rail, With mounting rail for 6 modules, vertical |

| Logistics data | |
|----------------|----------------|
| Weight/pcs | 0.0 kg / Piece |
| Packaging | Carton |
| Content amount | 1 ST |
| EAN | 4024941170550 |
| Length | 387 mm |
| Width | 222 mm |
| Height | 150 mm |
| Weight | 0.193 kg |
| Volume | 11,029.5 ccm |



| Ampere | 16 | 16 | 16 | 32 | 32 | 32 |
|----------------------------|--------|--------|--------|--------|--------|--------|
| Polzahl | 3 | 4 | 5 | 3 | 4 | 5 |
| a | 134,0 | 134,0 | 134,0 | 134,0 | 134,0 | 134,0 |
| b | 365,0 | 365,0 | 365,0 | 365,0 | 365,0 | 365,0 |
| c | 117,0 | 117,0 | 117,0 | 117,0 | 117,0 | 117,0 |
| d | 348,0 | 348,0 | 348,0 | 348,0 | 348,0 | 348,0 |
| e | 129,0 | 135,0 | 141,0 | 146,0 | 146,0 | 152,0 |
| f | 384,0 | 382,0 | 382,0 | 391,0 | 391,0 | 391,0 |
| g ø | 6,5 | 6,5 | 6,5 | 6,5 | 6,5 | 6,5 |
| h | 8,0 | 8,0 | 8,0 | 8,0 | 8,0 | 8,0 |
| i | M25/20 | M32/25 | M32/25 | M40/32 | M40/32 | M40/32 |
| k | M25/20 | M32/25 | M32/25 | M40/32 | M40/32 | M40/32 |
| l | 156,0 | 156,0 | 156,0 | 156,0 | 156,0 | 156,0 |
| Leiter mm ² min | 1,5 | 1,5 | 1,5 | 2,5 | 2,5 | 2,5 |
| Leiter mm ² max | 4 | 4 | 4 | 10 | 10 | 10 |