

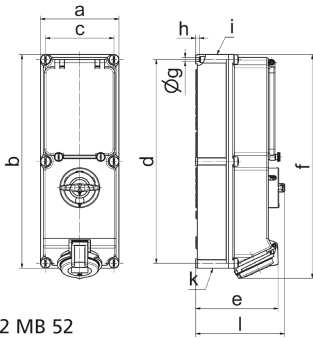
wall mounting socket outlet, switched, interlocked and fused - housing dimensions 365x134, with fuse base D 0



Product description	
BALS-Prd.-Nr	17039
EAN	4024941170390
product category (PG)	GT wall mounting socket outlet switched interlocked, fused
current (A)	16A
number of poles (P99)	4p
number of poles (P)	3P+PE
position of earth contact (H)	9 h
Voltage	200 up to 250V

Product description	
frequency (HZ)	50 and 60Hz
protection degree (SA)	IP44
colour code 1 (KF1)	blue RAL 5015
Colour of appliance	Operating window smoky topaz, Hinged lid blue, Housing screws grey, Housing bottom grey, Housing top grey, Control knob grey
connection design (AT)	screwless sping/cage/kontex
maximum conductor size (LQ)	4,0 qmm
cable entry (KE)	top entry M32/M25, bottom entry M32/M25
Height	384mm
Width	134mm
Depth	153mm
dimension of enclosure (GG)	365x134 mm (HxW)
material of enclosure (GM)	Polycarbonate
contact	The contact carrier is made of high temperature resistant material, the contacts are brass nickel plated

Additional technical information	
	cable entry two at top and two at bottom (open)
	In 0-position lockable for 3 padlocks with bow diameter up to 7 mm
	With fuse base 3 pole D01



12 MB 52

Ampere	16	16	16	32	32	32
Polzahl	3	4	5	3	4	5
a	134,0	134,0	134,0	134,0	134,0	134,0
b	365,0	365,0	365,0	365,0	365,0	365,0
c	117,0	117,0	117,0	117,0	117,0	117,0
d	348,0	348,0	348,0	348,0	348,0	348,0
e	129,0	135,0	141,0	146,0	146,0	152,0
f	384,0	382,0	382,0	391,0	391,0	391,0
g ø	6,5	6,5	6,5	6,5	6,5	6,5
h	8,0	8,0	8,0	8,0	8,0	8,0
i	M25/20	M32/25	M32/25	M40/32	M40/32	M40/32
k	M25/20	M32/25	M32/25	M40/32	M40/32	M40/32
l	156,0	156,0	156,0	156,0	156,0	156,0
Leiter mm <sup>2</sup> min	1,5	1,5	1,5	2,5	2,5	2,5
Leiter mm <sup>2</sup> max	4	4	4	10	10	10