

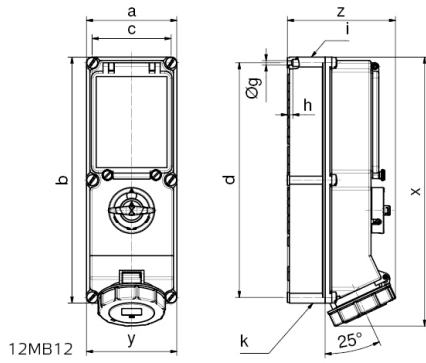
## wall mounting socket outlet, switched and fused - housing dimensions 365x134, with fuse base D 0



| Product description           |  |
|-------------------------------|--|
| BALS-Prd.-Nr                  | 17029  |
| EAN                           | 4024941170291                                  |
| product category (PG)         | GT wall mounting socket outlet switched, fused |
| current (A)                   | 16A  |
| number of poles (P99)         | 4p   |
| number of poles (P)           | 3P+PE  |
| position of earth contact (H) | 9 h  |
| Voltage                       | 200 up to 250V                                 |

| Product description         |   |
|-----------------------------|---|
| frequency (HZ)              | 50 and 60Hz   |
| protection degree (SA)      | IP67  |
| colour code 1 (KF1)         | blue RAL 5015   |
| Colour of appliance         | Operating window smoky topaz, Hinged lid blue, Bayonet ring grey, Housing screws grey, Housing bottom grey, Housing top grey, Control knob grey |
| connection design (AT)      | screw terminal  |
| maximum conductor size (LQ) | 4,0 qmm   |
| cable entry (KE)            | top entry M32/M25, bottom entry M32/M25   |
| Height                      | 390mm   |
| Width                       | 134mm   |
| Depth                       | 153mm   |
| dimension of enclosure (GG) | 365x134 mm (HxW)  |
| material of enclosure (GM)  | Polycarbonate   |
| contact                     | The contact carrier is made of high temperature resistant material, the contacts are brass nickel plated  |

| Additional technical information |  |
|----------------------------------|--|
|                                  | cable entry two at top and two at bottom (open)                    |
|                                  | In 0-position lockable for 3 padlocks with bow diameter up to 7 mm |
|                                  | With fuse base 3 pole D01  |



| Ampere Poles | 16<br>4 | 16<br>5 | 32<br>4 | 32<br>5 | 63<br>4 | 63<br>5 |
|--------------|---------|---------|---------|---------|---------|---------|
| a            | 134     | 134     | 134     | 134     | 180     | 180     |
| b            | 365     | 365     | 365     | 365     | 460     | 460     |
| c            | 117     | 117     | 117     | 117     | 160     | 160     |
| d            | 348     | 348     | 348     | 348     | 440     | 440     |
| Øg           | 6,5     | 6,5     | 6,5     | 6,5     | 8,3     | 8,3     |
| h            | 8       | 8       | 8       | 8       | 6,5     | 6,5     |
| i            | M32/25  | M32/25  | M40/32  | M40/32  | M40     | M40     |
| k            | M32/25  | M32/25  | M40/32  | M40/32  | M40/32  | M40/32  |
| x            | 390     | 390     | 400     | 400     | 503     | 503     |
| y            | 134     | 134     | 134     | 134     | 180     | 180     |
| z            | 153     | 153     | 154     | 161     | 192     | 192     |