

wall mounting socket outlet, switched, interlocked and fused - housing dimensions 365x134, with fuse base D

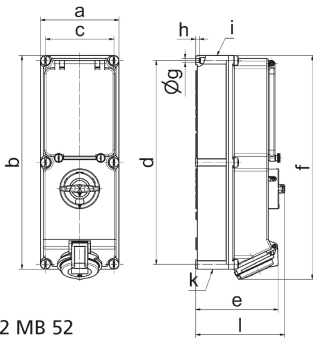


Product description	
BALS-Prd.-Nr	17008
EAN	4024941170086
Product category	TE wall mounting socket outlet switched, interlocked, fused
Current	16A
Number of poles	5p
Number of poles	3p+N+PE
Position of earth contact	6 h
Voltage	200/346 up to 240/415V

Product description	
Frequency	50 and 60Hz
Protection degree	IP44
Colour code	red RAL 3000
Colour of appliance	Operating window smoky topaz, Hinged lid red RAL 3000, Housing screws grey RAL 7035, Housing bottom grey RAL 7035, Housing top grey RAL 7035, Control knob grey RAL 7035
Connection design	screwless sping/cage/kontex
Maximum conductor size	4,0 qmm
Cable entry	top entry M32/M25, bottom entry M32/M25
Height	384mm
Width	134mm
Depth	153mm
dimension of enclosure (GG)	365x134 mm (HxW)
Material of enclosure	Polycarbonate
Contact	The contact carrier is made of high temperature resistant material, the contacts are brass nickel plated

Additional technical information	
	cable entry two at top and two at bottom (open)
	In 0-position lockable for 3 padlocks with bow diameter up to 7 mm
	With fuse base 3 pole D II

Logistics data	
Weight/pcs	2.048 kg / Piece
Packaging	Carton
Content amount	1 ST
EAN	4024941170086
Length	387 mm
Width	222 mm
Height	150 mm
Weight	2.241 kg
Volume	11,029.5 ccm



Ampere Polzahl	16 3	16 4	16 5	32 3	32 4	32 5
a	134,0	134,0	134,0	134,0	134,0	134,0
b	365,0	365,0	365,0	365,0	365,0	365,0
c	117,0	117,0	117,0	117,0	117,0	117,0
d	348,0	348,0	348,0	348,0	348,0	348,0
e	129,0	135,0	141,0	146,0	146,0	152,0
f	384,0	382,0	382,0	391,0	391,0	391,0
g ø	6,5	6,5	6,5	6,5	6,5	6,5
h	8,0	8,0	8,0	8,0	8,0	8,0
i	M25/20	M32/25	M32/25	M40/32	M40/32	M40/32
k	M25/20	M32/25	M32/25	M40/32	M40/32	M40/32
l	156,0	156,0	156,0	156,0	156,0	156,0
Leiter mm ² min	1,5	1,5	1,5	2,5	2,5	2,5
Leiter mm ² max	4	4	4	10	10	10