

## wall mounting socket outlet - housing dimensions 260x160, with electrical interlocking PSK



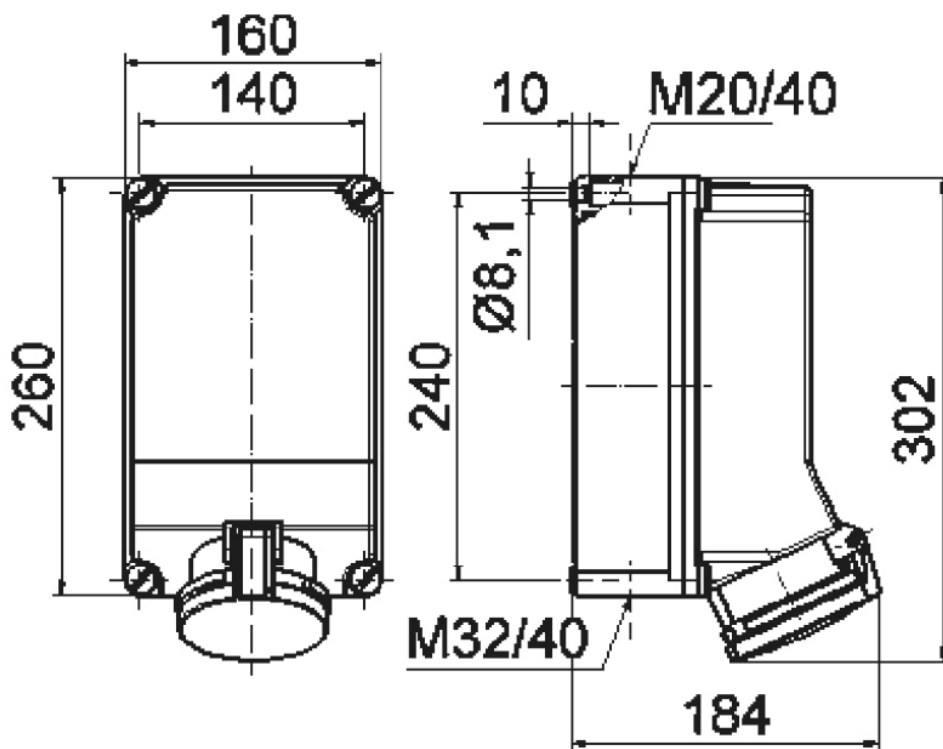
Product description	
BALS-Prd.-Nr	16873
EAN	4024941168731
product category (PG)	TE wall mounting socket outlet, switched, interlocked
current (A)	63A
number of poles (P99)	5p
number of poles (P)	3p+N+PE
position of earth contact (H)	6 h
voltage (V)	200/346 up to 240/415V

Product description	
frequency (HZ)	50 and 60Hz
protection degree (SA)	IP44
colour code 1 (KF1)	red RAL 3000
Colour of appliance	Hinged lid red, Housing screws grey, Housing bottom grey, Housing top grey
connection design (AT)	kontex contact
maximum conductor size (LQ)	25.0 qmm
cable entry (KE)	top entry M40/M20, bottom entry M40/M32
Height	302mm
Width	160mm
Depth	192mm
dimension of enclosure (GG)	260x160 mm (HxW)
material of enclosure (GM)	Polycarbonate
contact	The contact carrier is made of high temperature resistant material, the contacts are brass nickel plated

Additional technical information	
	Electrically interlocked with pilot contact, With DIL contactor, cable entry two at top and two at bottom (open)

Logistics data	
Weight/pcs	2.92 kg / Piece
Packaging	Carton

Logistics data	
Content amount	1 ST
EAN	4024941168731
Length	295 mm
Width	185 mm
Height	215 mm
Weight	3.081 kg
Volume	9,975 ccm



1 MB 38