

wall mounting socket outlet - housing dimensions 260x160, with electrical interlocking PSK



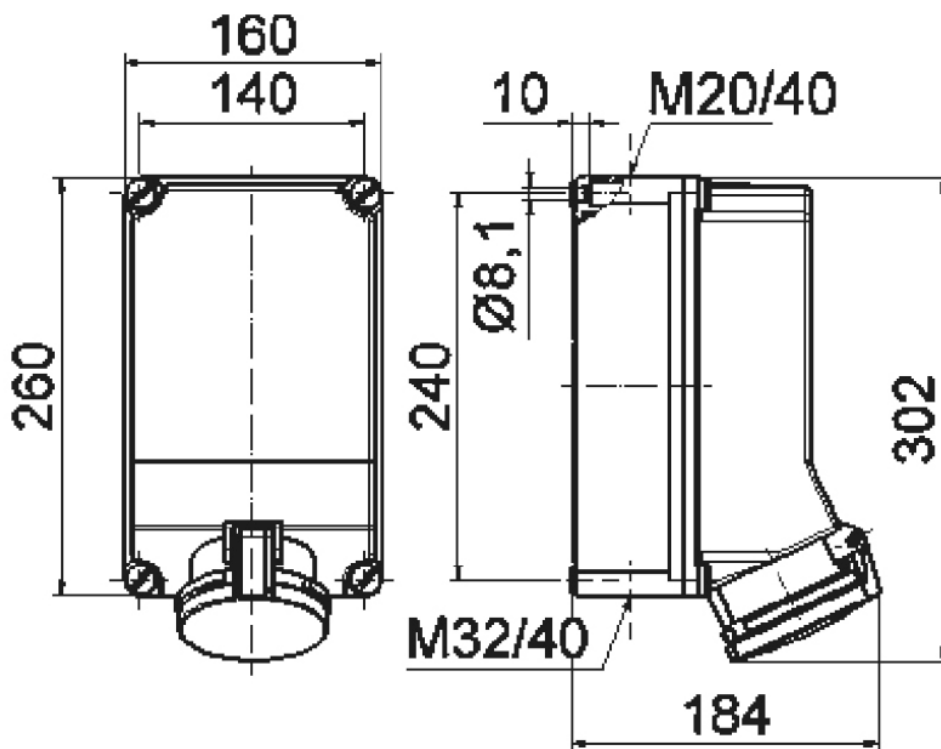
Product description	
BALS-Prd.-Nr	16872
EAN	4024941168724
product category (PG)	Wall mounting socket outlet
current (A)	63A
number of poles (P99)	4p
number of poles (P)	3P+PE
position of earth contact (H)	7 h
voltage (V)	480 up to 500V

Product description	
frequency (HZ)	50 and 60Hz
protection degree (SA)	IP44
colour code 1 (KF1)	black RAL 9005
Colour of appliance	Hinged lid black, Housing screws grey, Housing bottom grey, Housing top grey
connection design (AT)	kontex contact
maximum conductor size (LQ)	25.0 qmm
cable entry (KE)	top entry M40/M20, bottom entry M40/M32
Height	302mm
Width	160mm
Depth	192mm
dimension of enclosure (GG)	260x160 mm (HxW)
material of enclosure (GM)	Polycarbonate
contact	The contact carrier is made of high temperature resistant material, the contacts are brass nickel plated

Additional technical information	
	Electrically interlocked with pilot contact, cable entry two at top and two at bottom (open), With DIL contactor

Logistics data	
Weight/pcs	3.14 kg / Piece
Packaging	Carton

Logistics data	
Content amount	1 ST
EAN	4024941168724
Length	325 mm
Width	217 mm
Height	210 mm
Weight	3.356 kg
Volume	13,588.4 ccm



1 MB 38