

## wall mounting socket outlet, switched, interlocked - housing dimensions 460x180



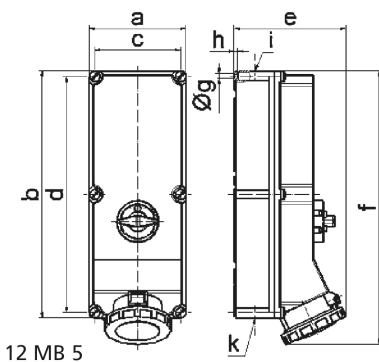
Product description	
BALS-Prd.-Nr	16831
EAN	4024941168311
product category	TE wall mounting socket outlet, switched, interlocked
current	125A
number of poles	4p
number of poles	3P+PE
position of earth contact	7 h
voltage	480 up to 500V

Product description	
frequency	50 and 60Hz
protection degree	IP67
colour code	black RAL 9005
Colour of appliance	Hinged lid black, Bayonet ring grey, Housing screws grey, Housing bottom grey, Housing top grey, Control knob grey
connection design	screw terminal as box terminal with Kontex-contact
maximum conductor size	70.0 qmm
cable entry	top entry M40, bottom entry M50/M40
Height	512mm
Width	180mm
Depth	210mm
dimension of enclosure	460x180 mm (HxW)
material of enclosure	Polycarbonate
contact	The contact carrier is made of high temperature resistant material, the contacts are brass nickel plated

Additional technical information	
	The cable entry is one at top and two at bottom open
	In 0-position lockable for 4 padlocks with bow diameter up to 7 mm

Logistics data	
Weight/pcs	3.645 kg / Piece

Logistics data	
Packaging	Carton
Content amount	1 ST
EAN	4024941168311
Length	560 mm
Width	215 mm
Height	260 mm
Weight	4.107 kg
Volume	26,400 ccm



Ampere Polzahl	125 3	125 4	125 5
a	180,0	180,0	180,0
b	460,0	460,0	460,0
c	160,0	160,0	160,0
d	440,0	440,0	440,0
e	208,0	208,0	208,0
f	510,0	510,0	510,0
g ø	8,3	8,3	8,3
h	6,5	6,5	6,5
i	M40	M40	M40
k	M40/50	M40/50	M40/50