

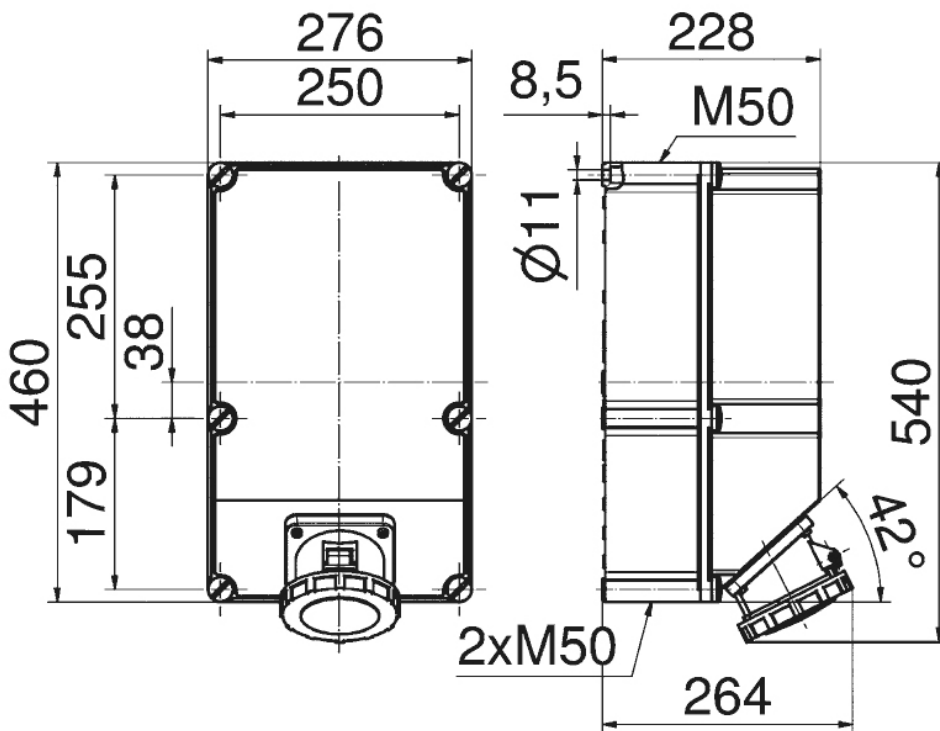
housing dimensions 460x276, with electrical interlocking  
PSK



Product description	
BALS-Prd.-Nr	1675
EAN	4024941016759

Logistics data	
Weight/pcs	9.1 kg / Piece
Packaging	Carton
Content amount	1 ST
EAN	4024941016759
Length	610 mm

Logistics data	
Width	410 mm
Height	430 mm
Weight	10.206 kg
Volume	98,400 ccm



**30 MB 104**