

wall mounting socket outlet, switched, interlocked - housing dimensions 170x90



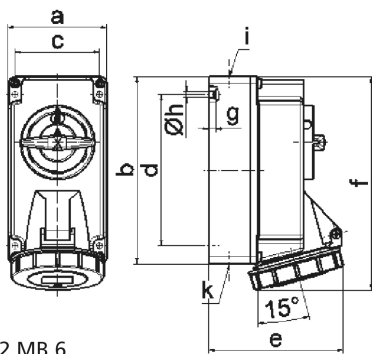
| Product description | |
|---------------------------|---|
| BALS-Prd.-Nr | 16138 |
| EAN | 4024941161381 |
| product group | TE wall mounting socket outlet, switched, interlocked |
| current | 16A |
| number of poles | 3p |
| Arrangement of the phases | 2P+PE |
| position of earth contact | 4 h |
| voltage (V) | 100 up to 130V |

| Product description | |
|-----------------------------|--|
| frequency | 50 and 60Hz |
| protection degree | IP67 |
| colour code | yellow RAL 1012 |
| Colour of appliance | Hinged lid yellow, Bayonet ring grey, Housing bottom grey, Housing top grey, Control knob grey |
| connection design | screwless sping/cage/kontex |
| maximum conductor size (LQ) | 4,0 qmm |
| cable entry (KE) | top entry M20, bottom entry M25/20 |
| Height | 195mm |
| Width | 90mm |
| Depth | 109mm |
| dimension of enclosure (GG) | 170x90 mm (HxW) |
| material of enclosure | Polycarbonate |
| contact | The contact carrier is made of high temperature resistant material, the contacts are brass nickel plated |

| Additional technical information | |
|----------------------------------|---|
| | The cable entry is one at top open and two at bottom closed |
| | In 0-position lockable for 3 padlocks with bow diameter up to 7 mm, Lower part of housing rotatable by 180° |

| Logistics data | |
|----------------|------------------|
| Weight/pcs | 0.623 kg / Piece |

| Logistics data | |
|----------------|---------------|
| Packaging | Carton |
| Content amount | 1 ST |
| EAN | 4024941161381 |
| Length | 205 mm |
| Width | 102 mm |
| Height | 134 mm |
| Weight | 0.684 kg |
| Volume | 2,118.48 ccm |



12 MB 6

| Ampere | 16 | 16 | 16 | | | |
|---------|--------|--------|--------|--|--|--|
| Polzahl | 3 | 4 | 5 | | | |
| a | 90,0 | 90,0 | 90,0 | | | |
| b | 170,0 | 170,0 | 170,0 | | | |
| c | 77,0 | 77,0 | 77,0 | | | |
| d | 137,5 | 137,5 | 137,5 | | | |
| e | 108,0 | 115,0 | 121,0 | | | |
| f | 191,5 | 191,5 | 191,5 | | | |
| g | 6,0 | 6,0 | 6,0 | | | |
| h ø | 5,5 | 5,5 | 5,5 | | | |
| i | M20 | M20 | M20 | | | |
| k | M20/25 | M20/25 | M20/25 | | | |
| | | | | | | |
| | | | | | | |