

wall mounting socket outlet, switched - housing dimensions 260x160, with electrical interlocking PSK



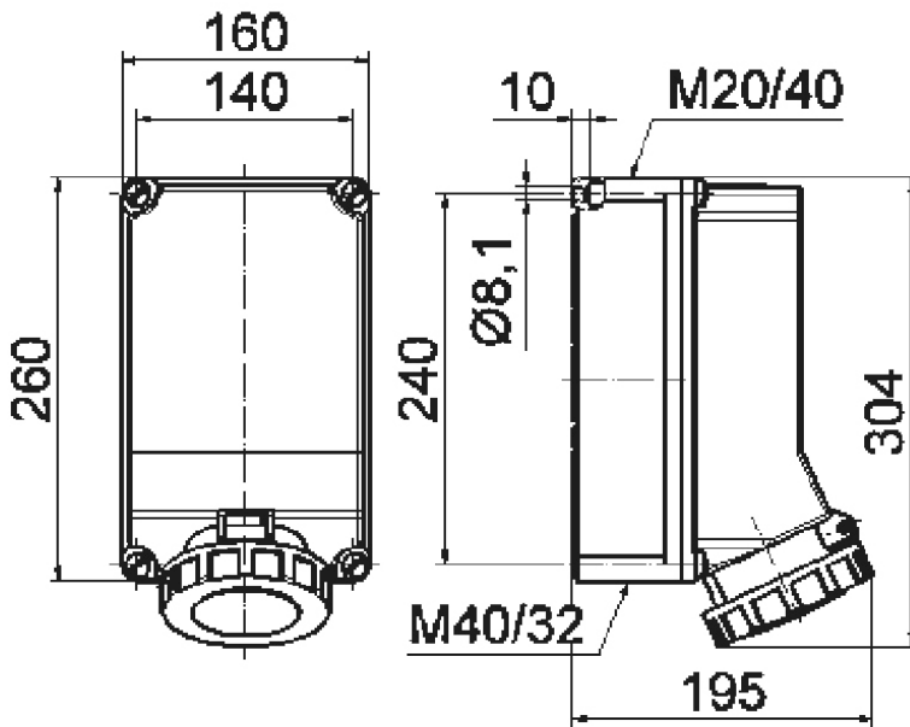
Product description	
BALS-Prd.-Nr	16072
EAN	4024941160728
product category	TE wall mounting socket outlet switched
current	63A
number of poles	5p
number of poles	3p+N+PE
position of earth contact	6 h
voltage	200/346 up to 240/415V

Product description	
frequency	50 and 60Hz
protection degree	IP67
colour code	red RAL 3000
Colour of appliance	Hinged lid red, Bayonet ring grey, Housing screws grey, Housing bottom grey, Housing top grey
connection design	screw terminal as box terminal with Kontex-contact
maximum conductor size	25.0 qmm
cable entry	top entry M40/M20, bottom entry M40/M32
Height	304mm
Width	160mm
Depth	195mm
dimension of enclosure	260x160 mm (HxW)
material of enclosure	Polycarbonate
contact	The contact carrier is made of high temperature resistant material, the contacts are brass nickel plated

Additional technical information	
	Electrically interlocked with pilot contact, With DIL contactor, cable entry two at top and two at bottom (open)

Logistics data	
Weight/pcs	2.915 kg / Piece
Packaging	Carton

Logistics data	
Content amount	1 ST
EAN	4024941160728
Length	325 mm
Width	217 mm
Height	210 mm
Weight	3.131 kg
Volume	13,588.4 ccm



1 MB 32