

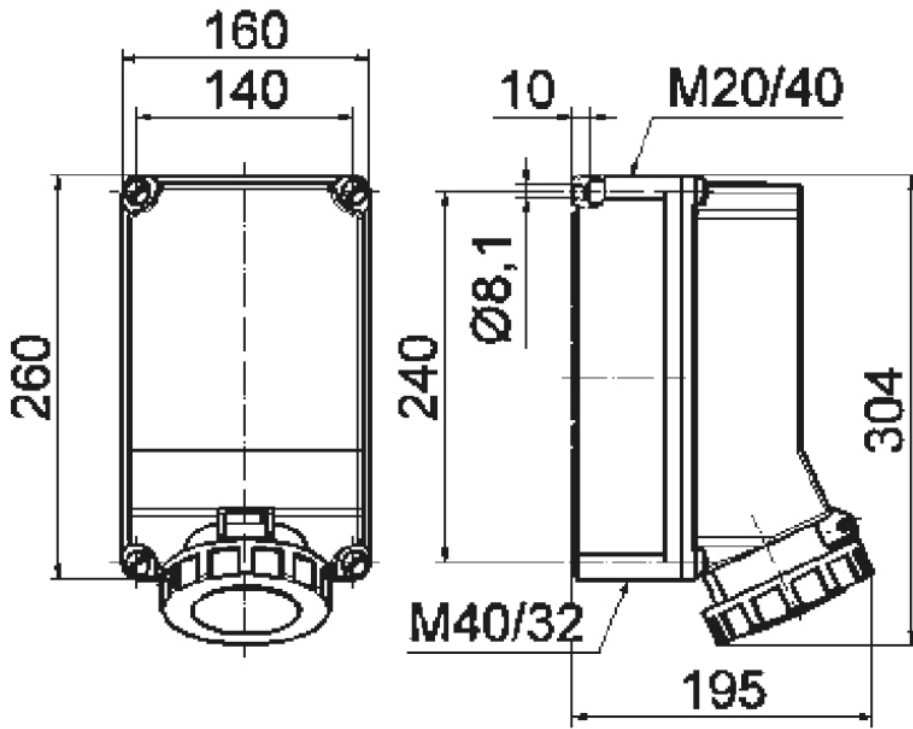
wall mounting socket outlet, switched, interlocked -
housing dimensions 260x160, with electrical interlocking
PSK



Product description	
BALS-Prd.-Nr	16070
EAN	4024941160704
product group	TE wall mounting socket outlet, switched, interlocked
current	63A
number of poles	4p
Arrangement of the phases	3P+PE
position of earth contact	6 h

Product description	
voltage (V)	380 up to 415V
frequency	50 and 60Hz
protection degree	IP67
colour code	red RAL 3000
Colour of appliance	Hinged lid red, Bayonet ring grey, Housing screws grey, Housing bottom grey, Housing top grey
connection design	kontex contact
maximum conductor size (LQ)	25.0 qmm
cable entry (KE)	top entry M40/M20, bottom entry M40/M32
Height	304mm
Width	160mm
Depth	195mm
dimension of enclosure (GG)	260x160 mm (HxW)
material of enclosure	Polycarbonate
contact	The contact carrier is made of high temperature resistant material, the contacts are brass nickel plated

Additional technical information	
	Electrically interlocked with pilot contact, With DIL contactor, cable entry two at top and two at bottom (open)



1 MB 32