

wall mounting socket outlet, switched, interlocked - for reefer containers, housing dimensions 225x118

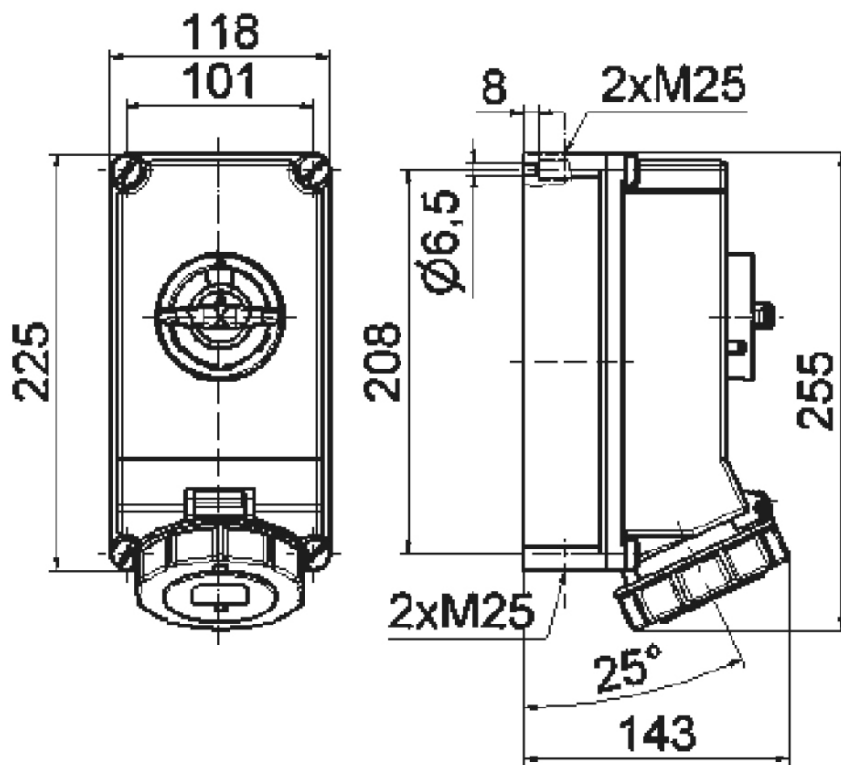


Product description	
BALS-Prd.-Nr	16050
EAN	4024941160506
product category	TE wall mounting socket outlet, switched, interlocked
current	32A
number of poles	4p
number of poles	3P+PE
position of earth contact	3 h
voltage	380 and 440V

Product description	
frequency	50 and 60Hz
protection degree	IP67
colour code	red RAL 3000
Colour of appliance	Hinged lid red, Bayonet ring grey, Housing screws grey, Housing bottom grey, Housing top grey, Control knob grey
connection design	screwless spring terminals as cage clamp with Kontext-contact
maximum conductor size	10,0 qmm
cable entry	top entry M25/M25 bottom entry M25
Height	260mm
Width	118mm
Depth	144mm
dimension of enclosure	225x118 mm (HxW)
material of enclosure	Polycarbonate
contact	The contact carrier is made of high temperature resistant material, the contacts are brass nickel plated

Additional technical information	
	The cable entry is one at top open, one at top is closed, and two at bottom are closed
	In 0-position lockable for 3 padlocks with bow diameter up to 7 mm

Logistics data	
Weight/pcs	1.24 kg / Piece
Packaging	Carton
Content amount	1 ST
EAN	4024941160506
Length	275 mm
Width	175 mm
Height	137 mm
Weight	1.365 kg
Volume	5,737.5 ccm



12 MB 27