

wall mounting socket outlet, switched, interlocked - housing dimensions 170x90

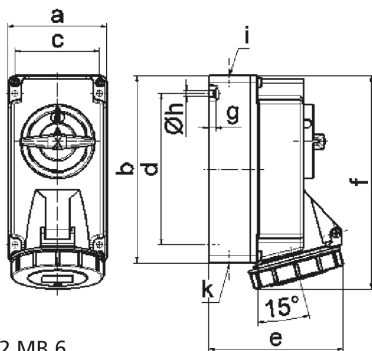


Product description	
BALS-Prd.-Nr	160049
EAN	4024941070270
product category	TE wall mounting socket outlet, switched, interlocked
current	16A
number of poles	4p
number of poles	3P+PE
position of earth contact	6 h
voltage	380 up to 415V

Product description	
frequency	50 and 60Hz
protection degree	IP67
colour code	red RAL 3000
Colour of appliance	Hinged lid red, Bayonet ring grey, Housing bottom grey, Housing top grey, Control knob grey
connection design	screwless spring terminals as cage clamp with Kontext-contact
maximum conductor size	4,0 qmm
cable entry	top entry M20, bottom entry M25/20
Height	194mm
Width	90mm
Depth	115mm
dimension of enclosure	170x90 mm (HxW)
material of enclosure	Polycarbonate
contact	The contact carrier is made of high temperature resistant material, the contacts are brass nickel plated

Additional technical information	
	The cable entry is one at top open and two at bottom closed
	In 0-position lockable for 3 padlocks with bow diameter up to 7 mm, Lower part of housing rotatable by 180°

Logistics data	
Weight/pcs	0.625 kg / Piece
Packaging	Carton
Content amount	1 ST
EAN	4024941070270
Length	205 mm
Width	102 mm
Height	134 mm
Weight	0.685 kg
Volume	2,118.48 ccm



12 MB 6

Ampere Polzahl	16 3	16 4	16 5			
a	90,0	90,0	90,0			
b	170,0	170,0	170,0			
c	77,0	77,0	77,0			
d	137,5	137,5	137,5			
e	108,0	115,0	121,0			
f	191,5	191,5	191,5			
g	6,0	6,0	6,0			
h ø	5,5	5,5	5,5			
i	M20	M20	M20			
k	M20/25	M20/25	M20/25			