

wall mounting socket outlet, fused - housing dimensions 460x180, with residual current circuit breaker



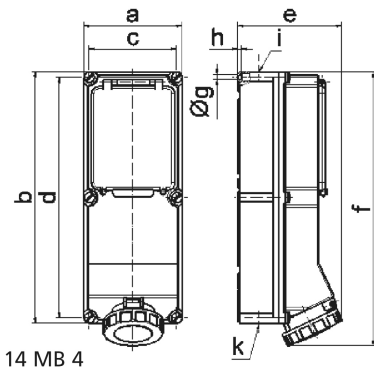
| Product description | |
|---------------------------|---------------------------------------|
| BALS-Prd.-Nr | 15165 |
| EAN | 4024941151658 |
| Product category | TE wall mounting socket outlet, fused |
| Current | 63A |
| Number of poles | 4p |
| Number of poles | 3P+PE |
| Position of earth contact | 6 h |
| Voltage | 380 up to 415V |

| Product description | |
|-----------------------------|--|
| Frequency | 50 and 60Hz |
| Protection degree | IP67 |
| Colour code | red RAL 3000 |
| Colour of appliance | Operating window smoky topaz, Hinged lid red RAL 3000, Bayonet ring grey RAL 7035, Housing screws grey RAL 7035, Housing bottom grey RAL 7035, Housing top grey RAL 7035 |
| Connection design | kontex contact |
| Maximum conductor size | 25.0 qmm |
| Cable entry | top entry M40, bottom entry M40/M32 |
| Height | 503mm |
| Width | 180mm |
| Depth | 192mm |
| dimension of enclosure (GG) | 460x180 mm (HxW) |
| Material of enclosure | Polycarbonate |
| Contact | The contact carrier is made of high temperature resistant material, the contacts are brass nickel plated |

| Additional technical information | |
|----------------------------------|--|
| | The cable entry is one at top and two at bottom open |
| | with 4 pole 63/0.03A RCCB |

| Logistics data | |
|----------------|----------------|
| Weight/pcs | 0.0 kg / Piece |

| Logistics data | |
|----------------|---------------|
| Packaging | Carton |
| Content amount | 1 ST |
| EAN | 4024941151658 |
| Length | 560 mm |
| Width | 215 mm |
| Height | 260 mm |
| Weight | 0.462 kg |
| Volume | 26,400 ccm |



| Ampere | 63 | 63 | 63 | 125 | 125 |
|---------|--------|--------|--------|--------|--------|
| Polzahl | 3 | 4 | 5 | 4 | 5 |
| a | 180,0 | 180,0 | 180,0 | 180,0 | 180,0 |
| b | 460,0 | 460,0 | 460,0 | 460,0 | 460,0 |
| c | 160,0 | 160,0 | 160,0 | 160,0 | 160,0 |
| d | 440,0 | 440,0 | 440,0 | 440,0 | 440,0 |
| e | 191,0 | 191,0 | 191,0 | 210,0 | 210,0 |
| f | 500,0 | 500,0 | 500,0 | 512,0 | 512,0 |
| g Ø | 8,3 | 8,3 | 8,3 | 8,3 | 8,3 |
| h | 6,5 | 6,5 | 6,5 | 6,5 | 6,5 |
| i | M40 | M40 | M40 | M40 | M40 |
| k | M32/40 | M32/40 | M32/40 | M40/50 | M40/50 |
| | | | | | |
| | | | | | |