

wall mounting socket outlet, fused - housing dimensions 460x180, with mounting rail



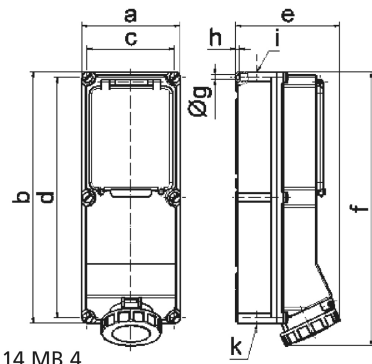
| Product description | |
|---------------------------|---------------------------------------|
| BALS-Prd.-Nr | 15158 |
| EAN | 4024941151580 |
| product category | TE wall mounting socket outlet, fused |
| current | 125A |
| number of poles | 4p |
| number of poles | 3P+PE |
| position of earth contact | 6 h |
| voltage | 380 up to 415V |

| Product description | |
|------------------------|---|
| frequency | 50 and 60Hz |
| protection degree | IP67 |
| colour code | red RAL 3000 |
| Colour of appliance | Operating window smoky topaz, Hinged lid red, Bayonet ring grey, Housing screws grey, Housing bottom grey, Housing top grey |
| connection design | screw terminal as box terminal with Kontex-contact |
| maximum conductor size | 70.0 qmm |
| cable entry | top entry M40, bottom entry M50/M40 |
| Height | 512mm |
| Width | 180mm |
| Depth | 210mm |
| dimension of enclosure | 460x180 mm (HxW) |
| material of enclosure | Polycarbonate |
| contact | The contact carrier is made of high temperature resistant material, the contacts are brass nickel plated |

| Additional technical information | |
|----------------------------------|--|
| | The cable entry is one at top and two at bottom open |
| | With mounting rail for 8 modules, vertical, Protective cover for fuses with stamping |

| Logistics data | |
|----------------|----------------|
| Weight/pcs | 0.0 kg / Piece |

| Logistics data | |
|----------------|---------------|
| Packaging | Carton |
| Content amount | 1 ST |
| EAN | 4024941151580 |
| Length | 560 mm |
| Width | 215 mm |
| Height | 260 mm |
| Weight | 0.462 kg |
| Volume | 26,400 ccm |



| Ampere Polzahl | 63 3 | 63 4 | 63 5 | 125 4 | 125 5 |
|----------------|---------|---------|---------|----------|----------|
| a | 180,0 | 180,0 | 180,0 | 180,0 | 180,0 |
| b | 460,0 | 460,0 | 460,0 | 460,0 | 460,0 |
| c | 160,0 | 160,0 | 160,0 | 160,0 | 160,0 |
| d | 440,0 | 440,0 | 440,0 | 440,0 | 440,0 |
| e | 191,0 | 191,0 | 191,0 | 210,0 | 210,0 |
| f | 500,0 | 500,0 | 500,0 | 512,0 | 512,0 |
| g Ø | 8,3 | 8,3 | 8,3 | 8,3 | 8,3 |
| h | 6,5 | 6,5 | 6,5 | 6,5 | 6,5 |
| i | M40 | M40 | M40 | M40 | M40 |
| k | M32/40 | M32/40 | M32/40 | M40/50 | M40/50 |
| | | | | | |
| | | | | | |