

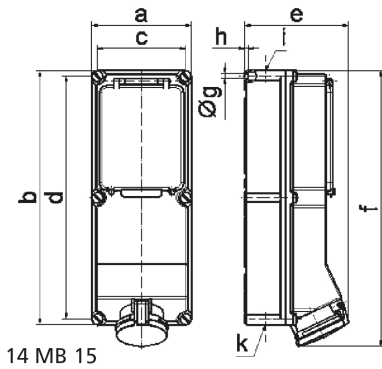
housing dimensions 460x180 with fuse isolator NH 00



Product description	
BALS-Prd.-Nr	15154
EAN	4024941151542

Logistics data	
Weight/pcs	3.39 kg / Piece
Packaging	Carton
Content amount	1 ST
EAN	4024941151542
Length	560 mm
Width	215 mm

Logistics data	
Height	260 mm
Weight	3.852 kg
Volume	26,400 ccm



Ampere	63	63				
Polzahl	4	5				
a	180,0	180,0				
b	460,0	460,0				
c	160,0	160,0				
d	440,0	440,0				
e	182,0	182,0				
f	498,0	498,0				
g ø	8,3	8,3				
h	6,5	6,5				
i	M40	M40				
k	M32/40	M32/40				