

wall mounting socket outlet, fused - housing dimensions 460x180, with mounting rail



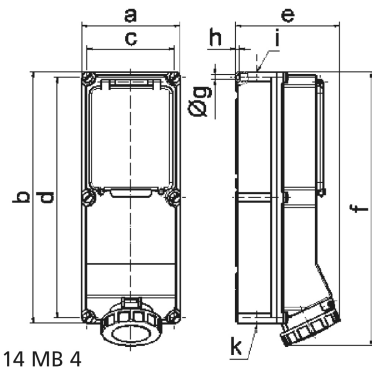
Product description	
BALS-Prd.-Nr	15047
EAN	4024941150477
product category	TE wall mounting socket outlet, fused
current	63A
number of poles	5p
number of poles	3p+N+PE
position of earth contact	6 h
voltage	200/346 up to 240/415V

Product description	
frequency	50 and 60Hz
protection degree	IP67
colour code	red RAL 3000
Colour of appliance	Operating window smoky topaz, Hinged lid red, Bayonet ring grey, Housing screws grey, Housing bottom grey, Housing top grey
connection design	screw terminal as box terminal with Kontex-contact
maximum conductor size	25.0 qmm
cable entry	top entry M40, bottom entry M40/M32
Height	503mm
Width	180mm
Depth	192mm
dimension of enclosure	460x180 mm (HxW)
material of enclosure	Polycarbonate
contact	The contact carrier is made of high temperature resistant material, the contacts are brass nickel plated

Additional technical information	
	The cable entry is one at top and two at bottom open
	With mounting rail for 8 modules, vertical, Protective cover for fuses with stamping

Logistics data	
Weight/pcs	2.89 kg / Piece

Logistics data	
Packaging	Carton
Content amount	1 ST
EAN	4024941150477
Length	560 mm
Width	215 mm
Height	260 mm
Weight	3.352 kg
Volume	26,400 ccm



Ampere Polzahl	63 3	63 4	63 5	125 4	125 5
a	180,0	180,0	180,0	180,0	180,0
b	460,0	460,0	460,0	460,0	460,0
c	160,0	160,0	160,0	160,0	160,0
d	440,0	440,0	440,0	440,0	440,0
e	191,0	191,0	191,0	210,0	210,0
f	500,0	500,0	500,0	512,0	512,0
g Ø	8,3	8,3	8,3	8,3	8,3
h	6,5	6,5	6,5	6,5	6,5
i	M40	M40	M40	M40	M40
k	M32/40	M32/40	M32/40	M40/50	M40/50