

wall mounting socket outlet, fused - housing dimensions 460x180 with fuse isolator NH 00



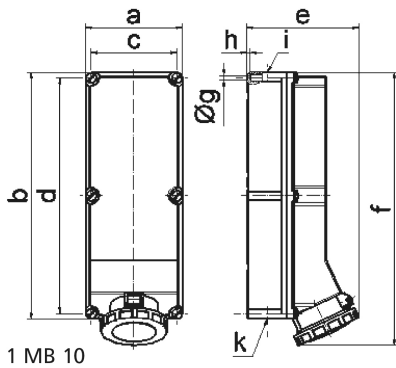
Product description	
BALS-Prd.-Nr	15008
EAN	4024941150088
product category	TE wall mounting socket outlet, fused
current	125A
number of poles	4p
number of poles	3P+PE
position of earth contact	6 h
voltage	380 up to 415V

Product description	
frequency	50 and 60Hz
protection degree	IP67
colour code	red RAL 3000
Colour of appliance	Hinged lid red, Bayonet ring grey, Housing screws grey, Housing bottom grey, Housing top grey
connection design	screw terminal as box terminal with Kontex-contact
maximum conductor size	70.0 qmm
cable entry	null
Height	512mm
Width	180mm
Depth	210mm
dimension of enclosure	460x180 mm (HxW)
material of enclosure	Polycarbonate
contact	The contact carrier is made of high temperature resistant material, the contacts are brass nickel plated

Additional technical information	
	The cable entry is one at top and two at bottom open
	with blade fuse disconnecter NH 00

Logistics data	
Weight/pcs	3.715 kg / Piece
Packaging	Carton

Logistics data	
Content amount	1 ST
EAN	4024941150088
Length	560 mm
Width	215 mm
Height	260 mm
Weight	4.177 kg
Volume	26,400 ccm



Ampere	125	125	125			
Polzahl	3	4	5			
a	180,0	180,0	180,0			
b	460,0	460,0	460,0			
c	160,0	160,0	160,0			
d	440,0	440,0	440,0			
e	208,0	208,0	208,0			
f	510,0	510,0	510,0			
g ø	8,3	8,3	8,3			
h	6,5	6,5	6,5			
i	M40	M40	M40			
k	M40/50	M40/50	M40/50			
Leiter mm ² min	25	25	25			
Leiter mm ² max	70	70	70			