

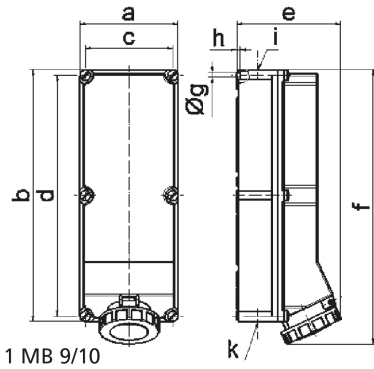
## housing dimensions 460x180 with fuse isolator NH 00



Product description	
BALS-Prd.-Nr	15007
EAN	4024941150071

Logistics data	
Weight/pcs	3.485 kg / Piece
Packaging	Carton
Content amount	1 ST
EAN	4024941150071
Length	560 mm
Width	215 mm

Logistics data	
Height	260 mm
Weight	3.947 kg
Volume	26,400 ccm



Ampere	63	63	125	125		
Polzahl	4	5	4	5		
a	180,0	180,0	180,0	180,0		
b	460,0	460,0	460,0	460,0		
c	160,0	160,0	160,0	160,0		
d	440,0	440,0	440,0	440,0		
e	191,0	191,0	210,0	210,0		
f	500,0	500,0	512,0	512,0		
g ø	8,3	8,3	8,3	8,3		
h	6,5	6,5	6,5	6,5		
i	M40	M40	M40	M40		
k	M32/40	M32/40	M40/50	M40/50		