

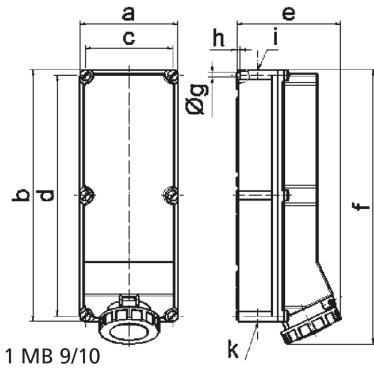
## housing dimensions 460x180 with fuse isolator NH 00



Product description	
BALS-Prd.-Nr	15006
EAN	4024941150064

Logistics data	
Weight/pcs	0.0 kg / Piece
Packaging	Carton
Content amount	1 ST
EAN	4024941150064
Length	560 mm
Width	215 mm

Logistics data	
Height	260 mm
Weight	0.462 kg
Volume	26,400 ccm



Ampere Polzahl	63 4	63 5	125 4	125 5
a	180,0	180,0	180,0	180,0
b	460,0	460,0	460,0	460,0
c	160,0	160,0	160,0	160,0
d	440,0	440,0	440,0	440,0
e	191,0	191,0	210,0	210,0
f	500,0	500,0	512,0	512,0
g ø	8,3	8,3	8,3	8,3
h	6,5	6,5	6,5	6,5
i	M40	M40	M40	M40
k	M32/40	M32/40	M40/50	M40/50