

flange 120x120, fixing centers 100x100

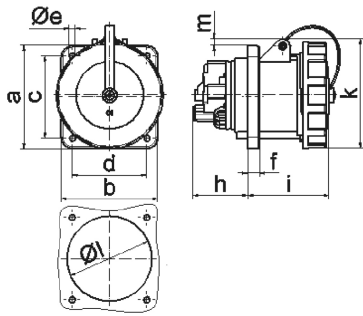


Product description	
BALS-Prd.-Nr	13918
EAN	4024941139182
product category (PG)	TN panel mounting socket outlet, straight
current (A)	125A
number of poles (P99)	5p
number of poles (P)	3p+N+PE
position of earth contact (H)	2 h
voltage (V)	> 50V
frequency (HZ)	over 300 up to 500Hz

Product description	
VG-Type-No.:	VG 96919 AS 017
protection degree (SA)	IP67
colour code 1 (KF1)	bronze-green RAL 6031-F9
Colour of appliance	Bayonet ring bronze-green, Hinged lid bronze-green, Enclosure bronze-green
connection design (AT)	screw terminal as box terminal with Kontex-contact
maximum conductor size (LQ)	70.0 qmm
cable entry (KE)	null
Height	129mm
Width	125mm
Depth	166mm
Flange size vertical	120mm
Flange size horizontal	120mm
Drill hole distance vertical	100mm
Drill hole distance horizontal	100mm
material of enclosure (GM)	Polyamide
contact	The contact carrier is made of high temperature resistant material, the contacts are brass nickel plated

Additional technical information	
	with pilot contact
	With bayonet cover on strap

Logistics data	
Weight/pcs	0.0 kg / Piece
Packaging	Bag
Content amount	1 ST
EAN	4024941139182
Length	166 mm
Width	125 mm
Height	129 mm
Weight	0.001 kg
Volume	2,676.75 ccm
Packaging	Carton
Content amount	5 ST
EAN	4024941838535
Length	330 mm
Width	216 mm
Height	260 mm
Weight	0.226 kg
Volume	17,062.5 ccm



4 MB 134

Ampere	63	63	63	125	125	125
Polzahl	3	4	5	3	4	5
a	107,0	107,0	107,0	120,0	120,0	120,0
b	100,0	100,0	100,0	120,0	120,0	120,0
c	85,0	85,0	85,0	100,0	100,0	100,0
d	77,0	77,0	77,0	100,0	100,0	100,0
e ø	6,5	6,5	6,5	6,5	6,5	6,5
f	12,0	12,0	12,0	21,0	21,0	21,0
h	57,0	57,0	57,0	50,0	50,0	50,0
i	77,0	77,0	77,0	117,0	117,0	117,0
k	113,0	113,0	113,0	129,0	129,0	129,0
l ø	88,0	88,0	88,0	104,0	104,0	104,0
m	8,0	8,0	8,0	6,0	6,0	6,0
Leiter mm ² min	6,0	6,0	6,0	25,0	25,0	25,0
Leiter mm ² max	25,0	25,0	25,0	70,0	70,0	70,0