

panel mounting socket outlet, straight - flange 107x100 fixing centers 85x77

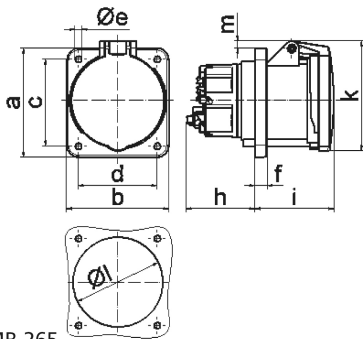


Product description	
BALS-Prd.-Nr	13849
EAN	4024941138499
product category (PG)	TE panel mounting socket outlet, straight
current (A)	63A
number of poles (P99)	5p
number of poles (P)	3p+N+PE
position of earth contact (H)	5 h
voltage (V)	347/600 up to 400/690V

Product description	
frequency (HZ)	50 and 60Hz
protection degree (SA)	IP44
colour code 1 (KF1)	black RAL 9005
Colour of appliance	Hinged lid black, Enclosure grey
connection design (AT)	screw terminal as box terminal with Kontex-contact
maximum conductor size (LQ)	25.0 qmm
cable entry (KE)	null
Height	114mm
Width	100mm
Depth	134mm
Flange size vertical	107mm
Flange size horizontal	100mm
Drill hole distance vertical	85mm
Drill hole distance horizontal	77mm
material of enclosure (GM)	Polyamide
contact	The contact carrier is made of high temperature resistant material, the contacts are brass nickel plated

Logistics data	
Weight/pcs	0.49 kg / Piece
Packaging	Carton
Content amount	5 ST

Logistics data	
EAN	4024941837897
Length	258 mm
Width	183 mm
Height	212 mm
Weight	2.599 kg
Volume	8,750 ccm



4 MB 265

Ampere	63	63				
Polzahl	4	5				
a	107,0	107,0				
b	100,0	100,0				
c	85,0	85,0				
d	77,0	77,0				
e ø	6,5	6,5				
f	12,0	12,0				
h	67,0	67,0				
i	77,0	77,0				
k	110,0	110,0				
l ø	88,0	88,0				
m	7,0	7,0				
Leiter mm ² min	6	6				
Leiter mm ² max	25	25				