

panel mounting socket outlet, straight - flange 75x75,
fixing centers 60x60

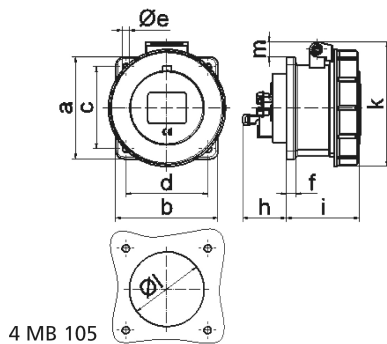


Product description	
BALS-Prd.-Nr	13748
EAN	4024941137485
product group	Panel mounting socket outlet Quick-Connect, straight
current	16A
number of poles	5p
Arrangement of the phases	3p+N+PE
position of earth contact	2 h
voltage (V)	> 50V

Product description	
frequency	over 300 up to 500Hz
protection degree	IP67
colour code	green RAL 6002
Colour of appliance	Hinged lid green, Bayonet ring grey, Enclosure grey
connection design	screwless sping/cage/kontex
maximum conductor size (LQ)	4,0 qmm
cable entry (KE)	null
Height	92mm
Width	86mm
Depth	91mm
Flange size vertical	75mm
Flange size horizontal	75mm
Drill hole distance vertical	60mm
Drill hole distance horizontal	60mm
material of enclosure	Polyamide
contact	The contact carrier is made of polyamide, The contacts are brass

Logistics data	
Weight/pcs	0.165 kg / Piece
Packaging	Carton
Content amount	10 ST

Logistics data	
EAN	4024941830300
Length	245 mm
Width	177 mm
Height	185 mm
Weight	1.783 kg
Volume	7,140 ccm



Ampere Polzahl	16 3	16 4	16 5	32 3	32 4	32 5
a	75,0	75,0	75,0	75,0	75,0	75,0
b	75,0	75,0	75,0	75,0	75,0	75,0
c	60,0	60,0	60,0	60,0	60,0	60,0
d	60,0	60,0	60,0	60,0	60,0	60,0
e ø	5,5	5,5	5,5	5,5	5,5	5,5
f	7,0	7,0	7,0	8,0	8,0	8,0
h	35,5	35,5	35,5	46,0	46,0	46,0
i	57,0	58,0	57,0	65,0	65,0	65,0
k	76,0	83,0	93,0	100,0	100,0	106,0
l ø	45,0	45,0	55,0	60,0	60,0	60,0
m	3,5	7,0	11,5	12,0	12,0	17,0
Leiter mm ² min	1,5	1,5	1,5	2,5	2,5	2,5
Leiter mm ² max	4	4	4	10	10	10