

panel mounting socket outlet, straight - flange 75x75,
fixing centers 60x60

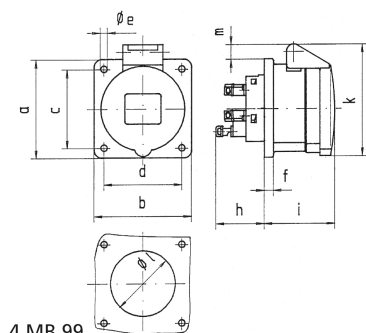


Product description	
BALS-Prd.-Nr	13692
EAN	4024941136921
product group	Panel mounting socket outlet Quick-Connect, straight
current	16A
number of poles	4p
Arrangement of the phases	3P+PE
position of earth contact	9 h
voltage (V)	200 up to 250V

Product description	
frequency	50 and 60Hz
protection degree	IP44
colour code	blue RAL 5015
Colour of appliance	Hinged lid blue, Enclosure grey
connection design	screwless sping/cage/kontex
maximum conductor size (LQ)	4,0 qmm
cable entry (KE)	null
Height	82mm
Width	75mm
Depth	88mm
Flange size vertical	75mm
Flange size horizontal	75mm
Drill hole distance vertical	60mm
Drill hole distance horizontal	60mm
material of enclosure	Polyamide
contact	The contact carrier is made of polyamide, The contacts are brass

Logistics data	
Weight/pcs	0.118 kg / Piece
Packaging	Bag
Content amount	1 ST

Logistics data	
EAN	4024941136921
Length	88 mm
Width	75 mm
Height	82 mm
Weight	0.119 kg
Volume	541.2 ccm
Packaging	Carton
Content amount	10 ST
EAN	4024941941167
Length	245 mm
Width	177 mm
Height	185 mm
Weight	1.313 kg
Volume	7,140 ccm



4 MB 99

Ampere	16	16	16	32	32	32
Polzahl	3	4	5	3	4	5
a	75,0	75,0	75,0	75,0	75,0	75,0
b	75,0	75,0	75,0	75,0	75,0	75,0
c	60,0	60,0	60,0	60,0	60,0	60,0
d	60,0	60,0	60,0	60,0	60,0	60,0
e ø	5,5	5,5	5,5	5,5	5,5	5,5
f	7,0	7,0	7,0	8,0	8,0	8,0
h	35,5	35,5	35,5	50,0	50,0	50,0
i	50,0	50,0	51,0	60,0	60,0	60,0
k	74,0	84,0	91,0	94,0	94,0	102,0
l ø	45,0	45,0	55,0	60,0	60,0	60,0
m	3,5	7,0	11,5	12,0	12,0	17,0
Leiter mm ² min	1,5	1,5	1,5	2,5	2,5	2,5
Leiter mm ² max	4	4	4	10	10	10